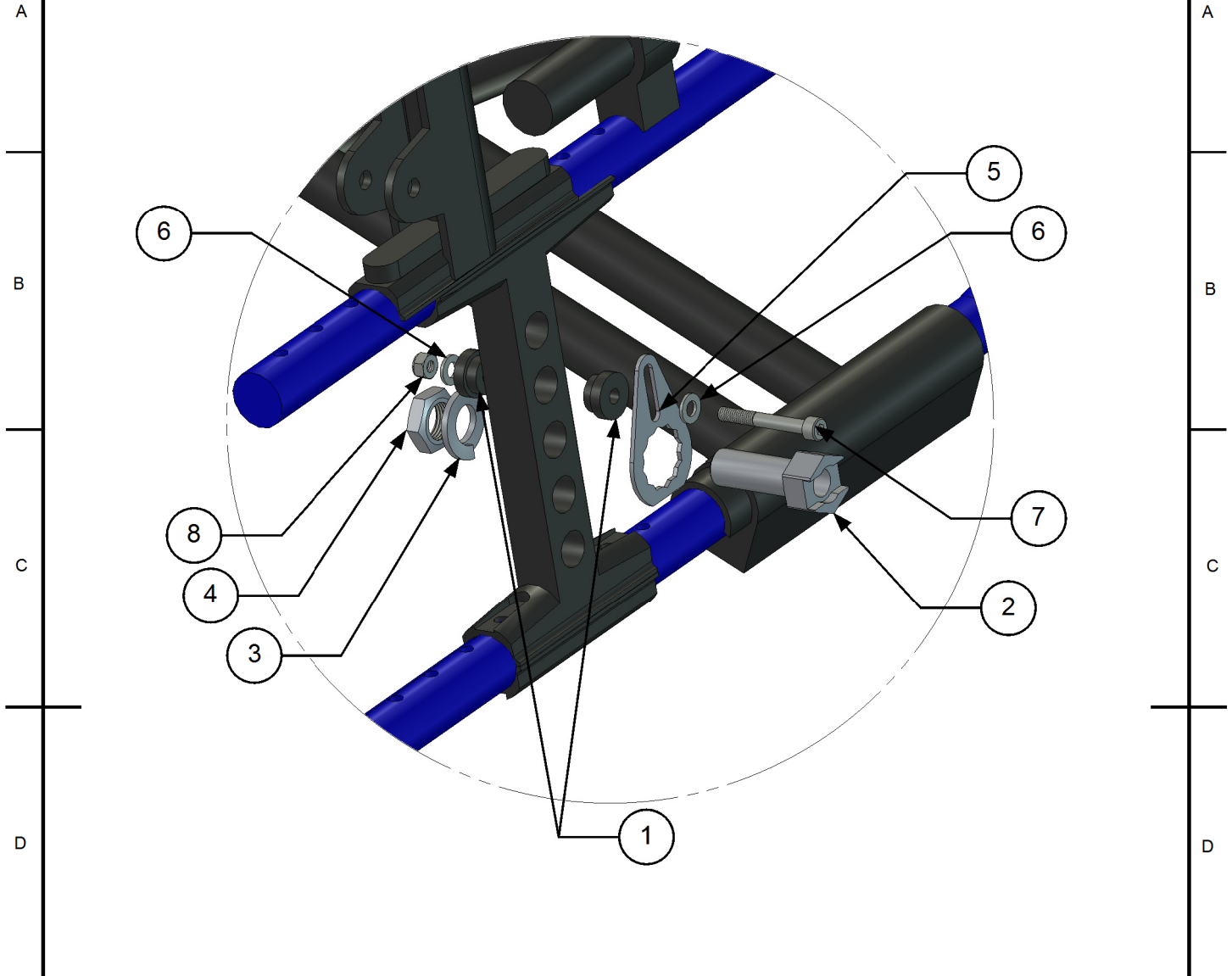


1	2	3	4
RevNr.	Revision note	Date	Sign
02	Removed HeliX	2011-03-09	RL



Item No.	Part Number	Qty	Description
1	VH53001-01	2	Distans
2	VH51001-04	1	Nav hylsa
3	XSM16FJ	1	Fjäder bricka M16
4	XSM16M	1	Mutter M16
5	VH52001-01	1	Låsbricka
6	XSM6BR	2	Plan bricka 6,4
7	XSM6X45	1	Skruv M6 x 45
8	XSM6LM	1	Lås mutter M6

	A4	General Tolerances acc to : ISO 2768-1 medium	Material		Material
	Scale 1:2		Drawn RL	Checked MJ	Dat. 2009.12.07
		Title RubiX med Easy Wheel		Sheet 1	Rev.
				1/1	2