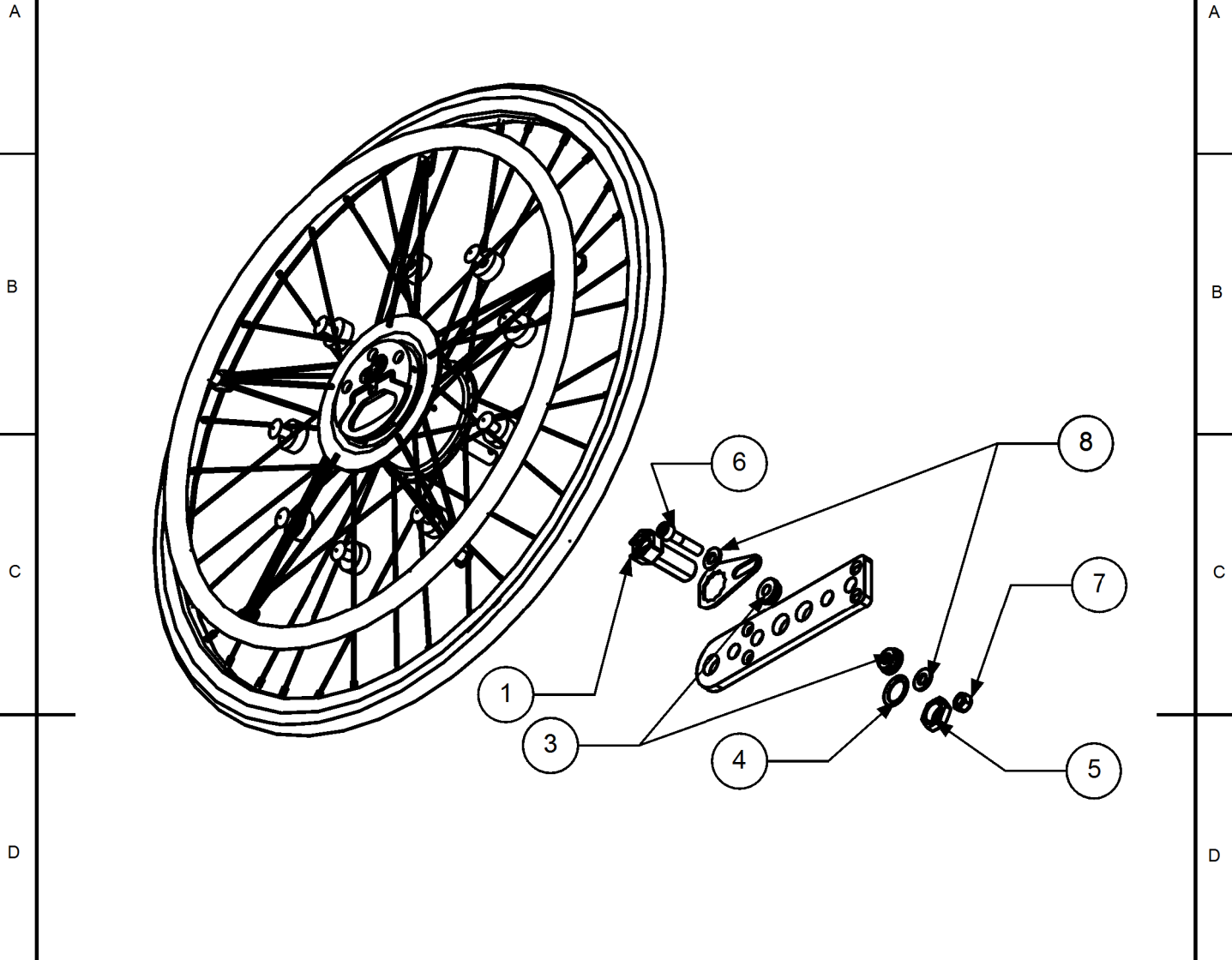


1	2	3	4
RevNr.	Revision note	Date	Sign



Item No.	Part Number	Qty	Description
1	VH51002-01	1	Navhylsa
2	VH52002-01	1	Låsbricka
3	100 400 008	2	Distans
4	405240	1	Nordlockbricka M18
5	XSM18M	1	Nut M18x1
6	XSM8x35	1	Insexbult M8x35
7	XSM8LM	1	Låsmutter M8
8	XSM8BR	2	Planbricka

	A4	General Tolerances acc to : ISO 2768-1 medium	Material		Material
	Scale 1:5		Drawn RL	Checked MJ	Dat. 2008.07.31
		Title Van Os Medical G5 Classic, G6 med Easy Wheel		Sheet 1 1/1	Rev. 1
				Part Number VH3055-70	