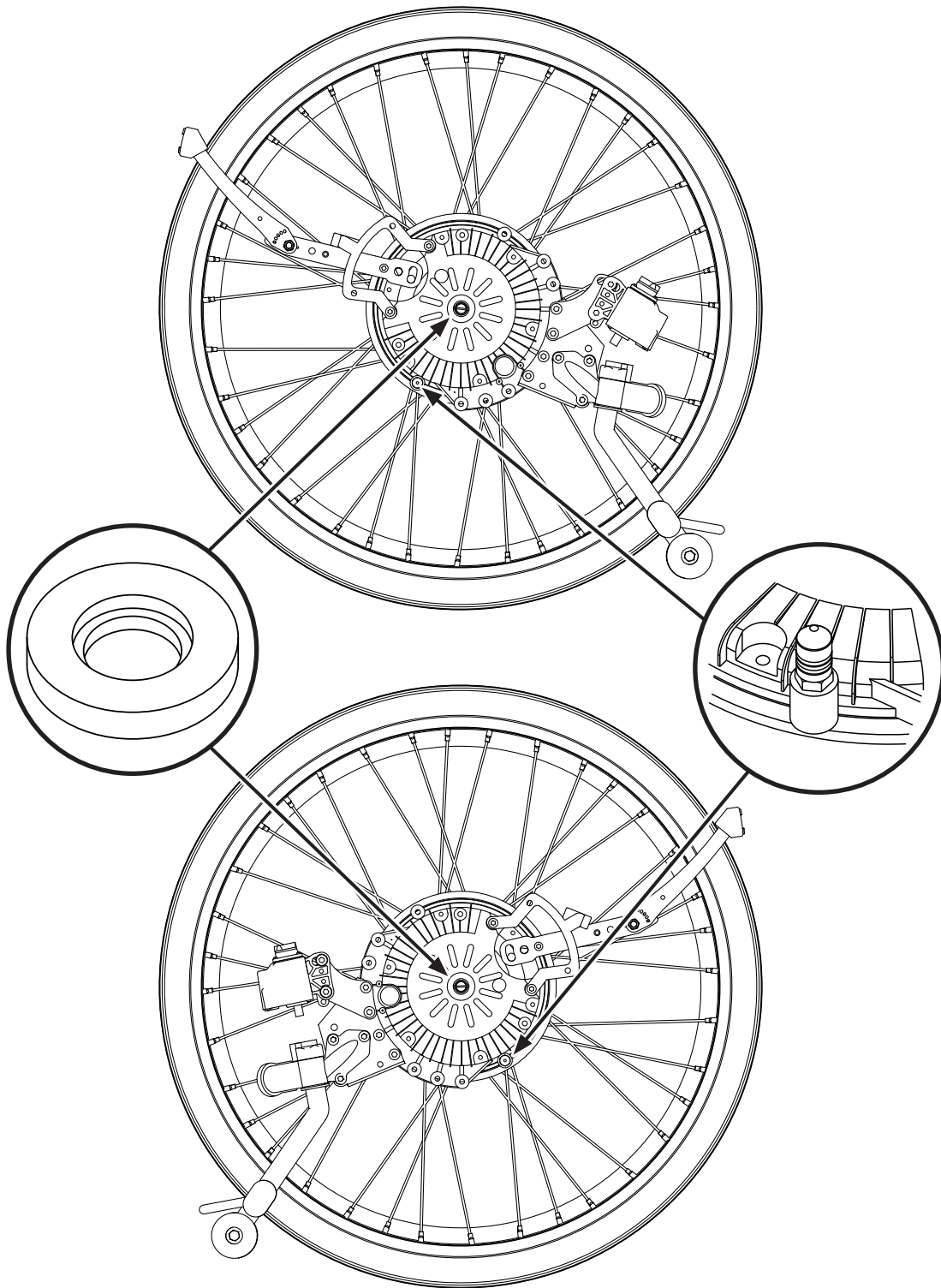
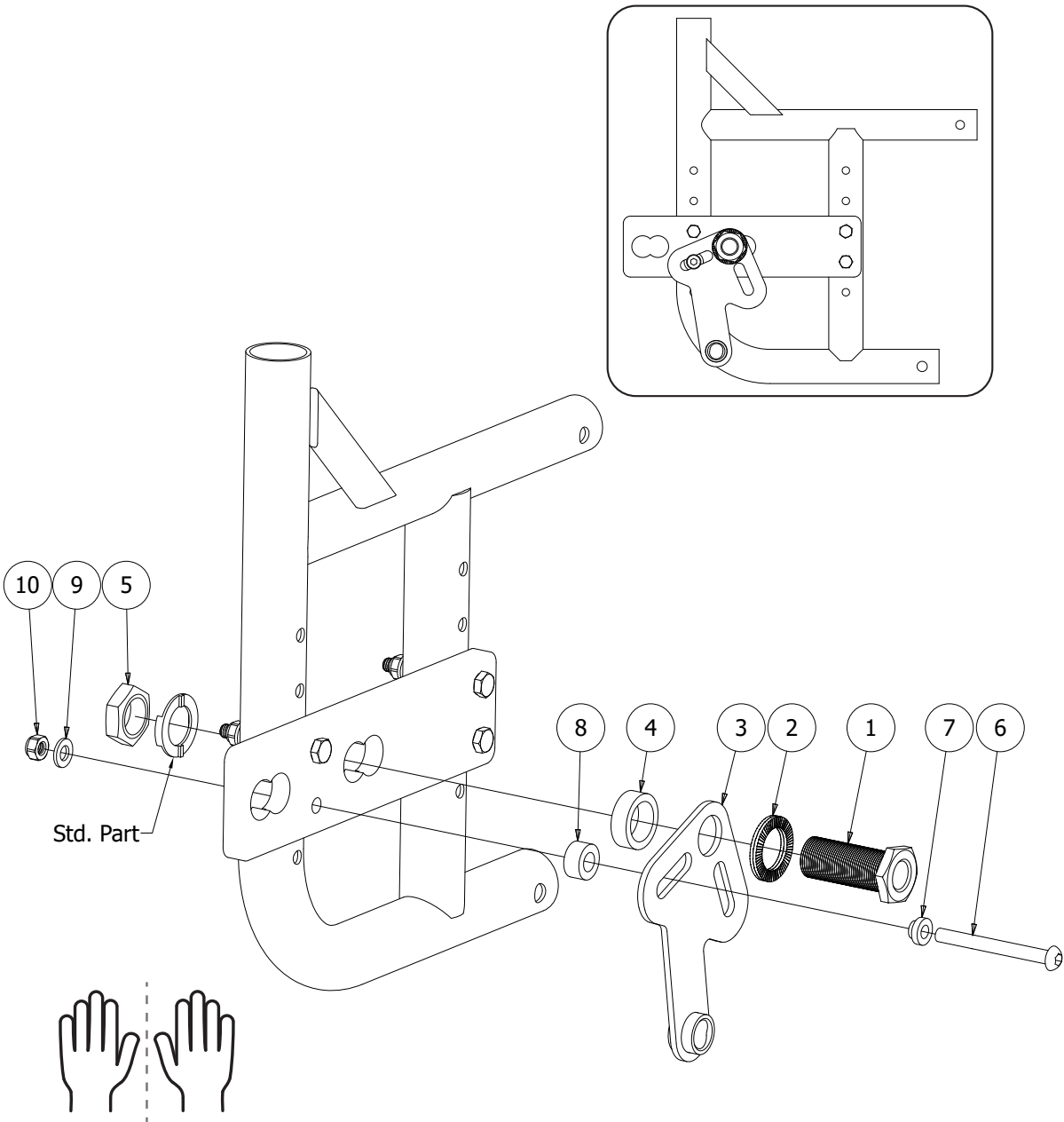


Ki Mobility - Catalyst 5 / 5Ti (Amputee Axle Plate)

MED3418



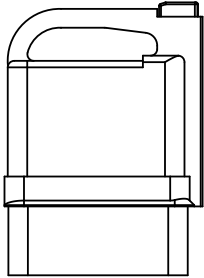
1	93440-120520	1	
2	XOC-25383-00	1	



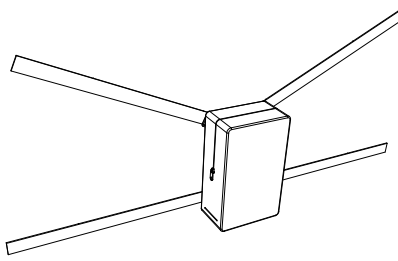
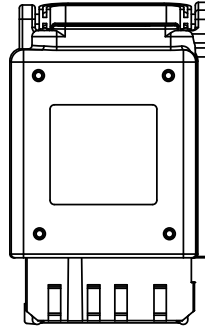
1	HW084	1	
2	405241	1	
3	MED2000	1	
4	100 400 016	1	
5	XSM18M	1	
6	XSM6X60	1	
7	100 400 020	1	
8	100 400 003	1	
9	XSM6BR	1	
10	XSM6ML	1	



NiMH



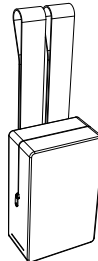
Li-ion



NiMH



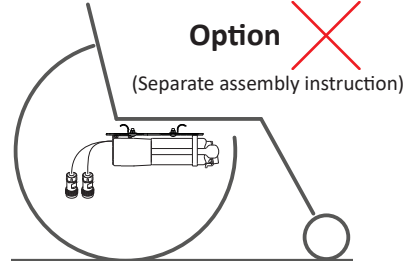
Li-ion



NiMH



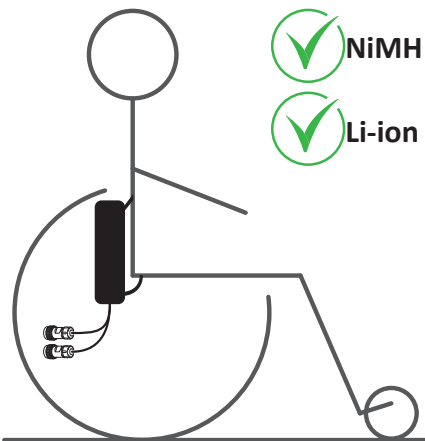
Li-ion



NiMH



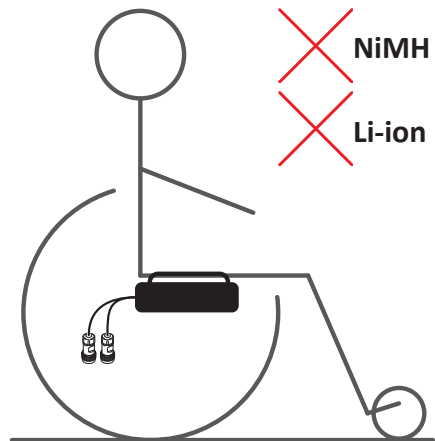
Li-ion



NiMH



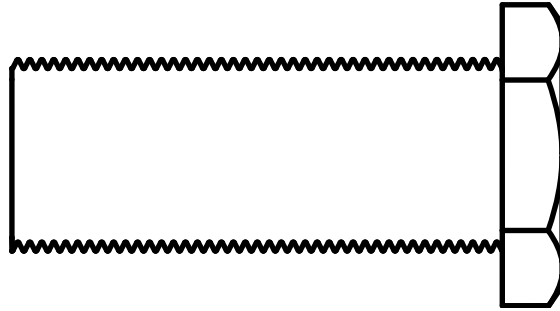
Li-ion



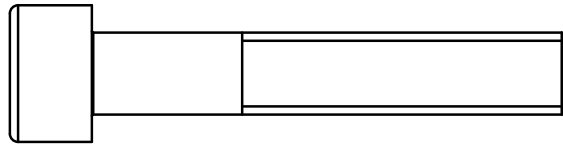
NiMH



Li-ion



M16x1	30 Nm
M18x1	40 Nm



M3	1.2 Nm
M4	3 Nm
M5	6 Nm
M6	10 Nm
M8	25 Nm
M10	50 Nm
M12	85 Nm