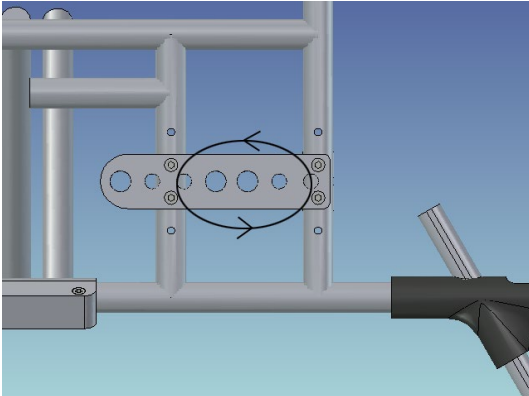


decon wheel

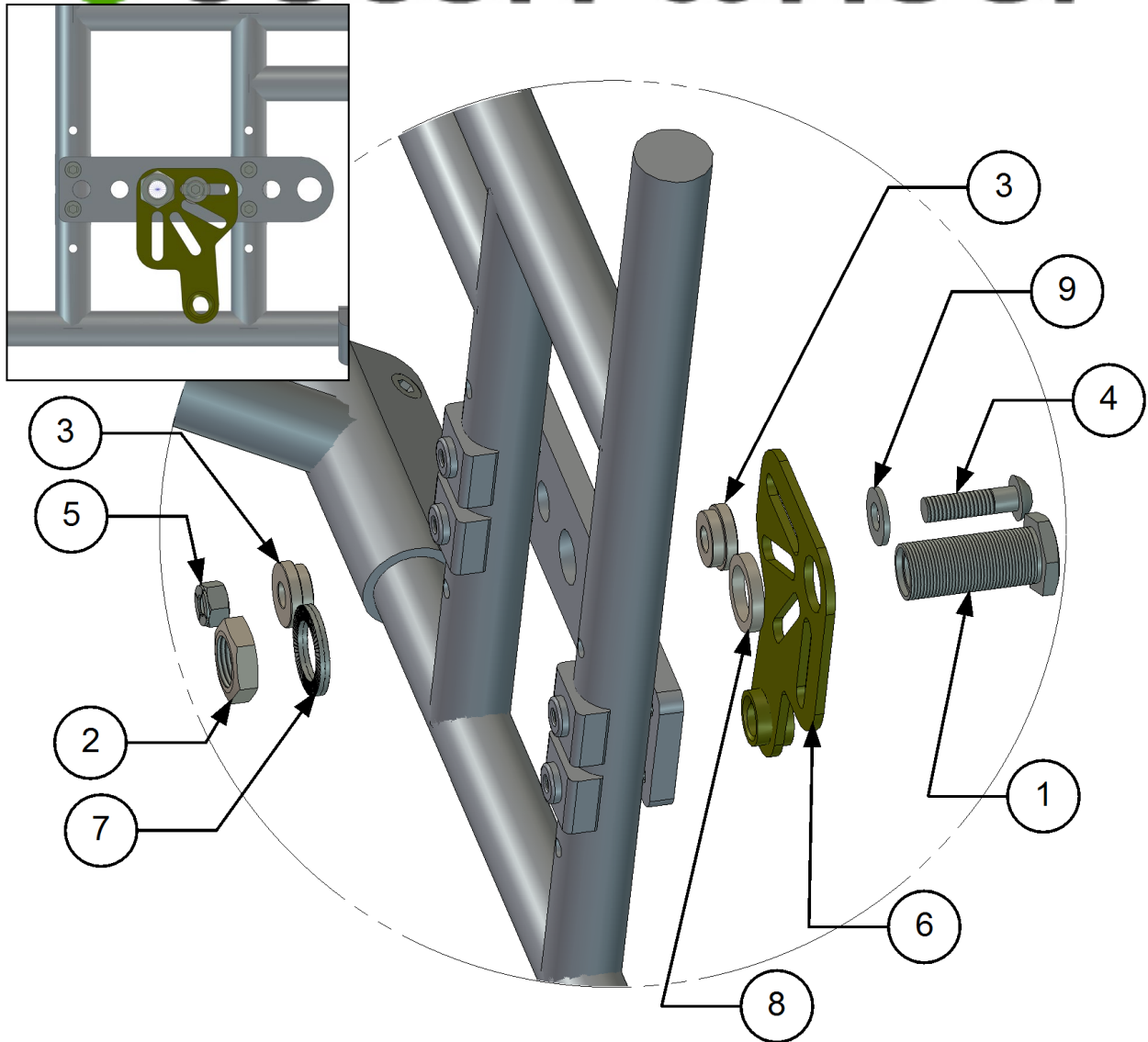
Assembly instructions for Van Os Excel G5 Classic/G6 MED3014

1. Remove wheels and turn the bracket on both sides.



2. Check the correct placement for the stop pin and the battery connector. Check that antitip devices are removed on the chair. Use the antitip devices on the E-Drive.





3. Assembly the E-drive bracket (right side) according to picture.
Parts pair mounting set:

Item No.	Part Number	Qty	Description
1	HW084	1	Hub Sleeve
2	XSM18M	1	Nut M18x1
3	100 400 008	2	Spacer
4	XSM8X30	1	Screw : Round - M8 x 30
5	XSM8ML	1	Nut : Self-Locking - M8
6	MED 2004	1	Bracket
7	405241	1	Nordlock M18 Washer
8	100 400 014	1	Spacer
9	XSM8BR	1	Washer : Plain - M8

4. Assembly the back placed battery bag.