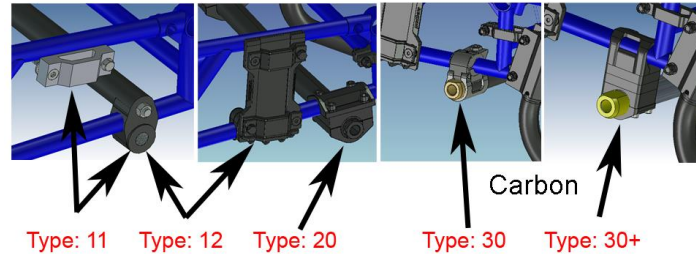
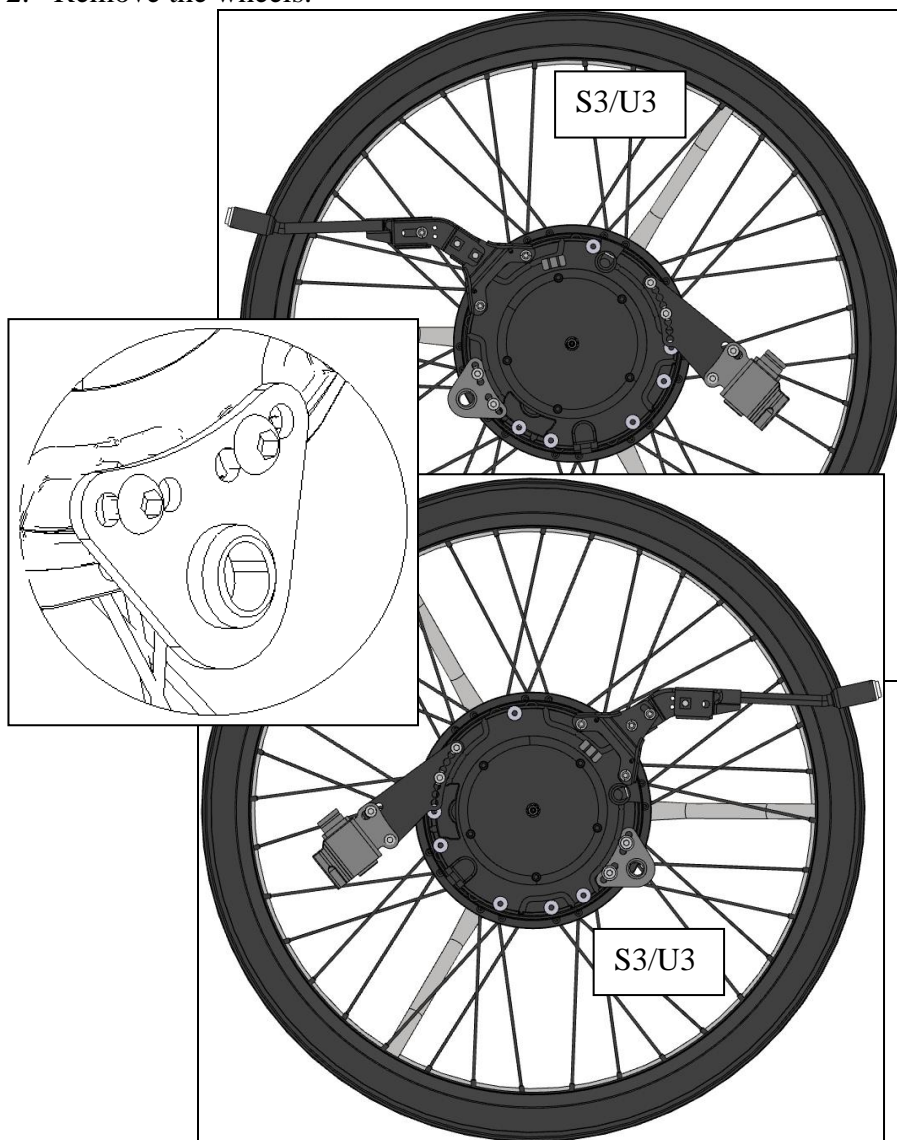


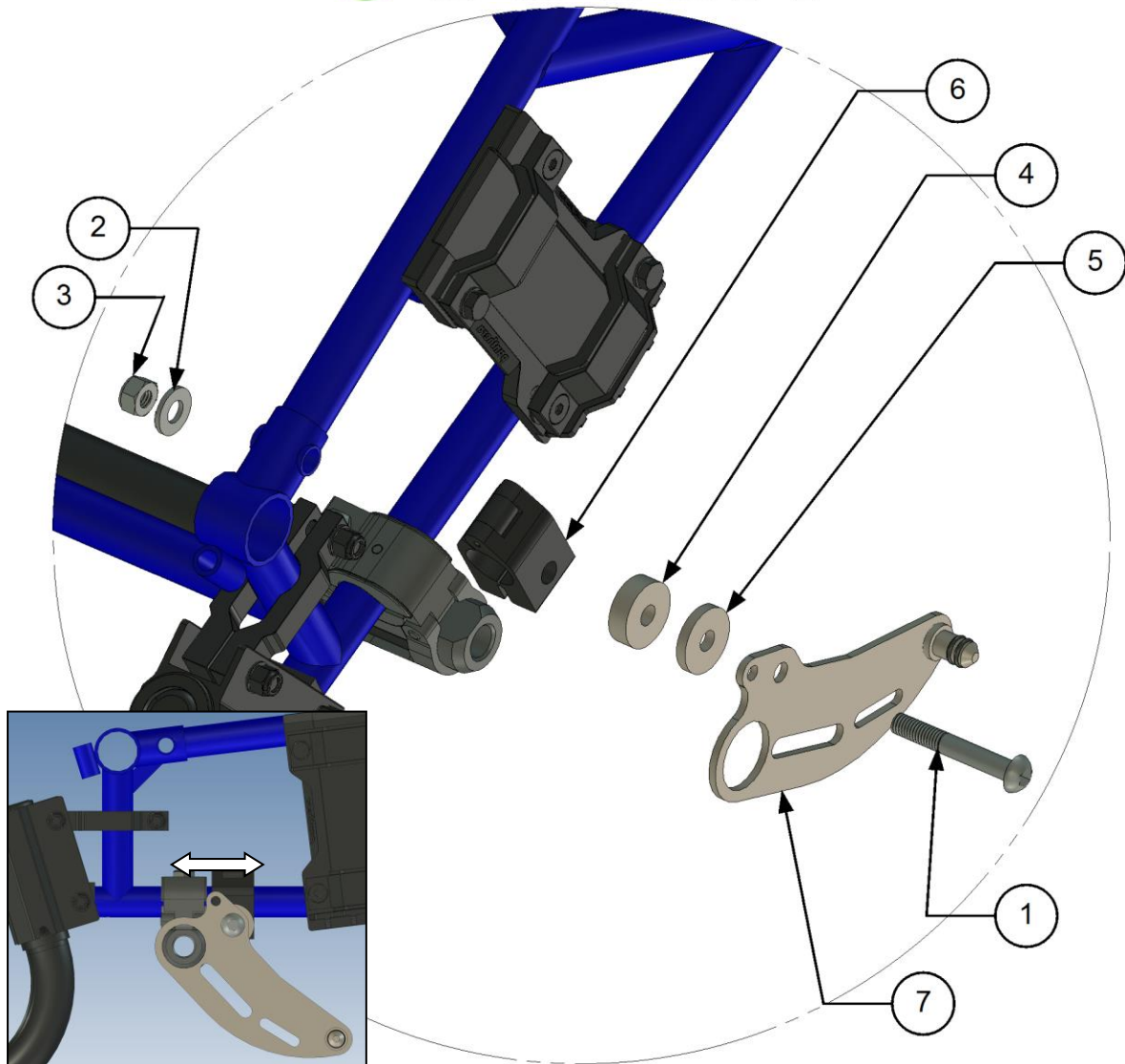
**Assembly instructions for Panthera  
Bambino, S3/U3  
MEM6003-30 and MEM6004-30  
Type 30**



1. Check that you have the correct model.
2. Remove the wheels.



3. Check the correct placement for the eMove, and that it is mounted  $\text{Ø}12,7 \times 46$  axle with Part Number: XOE-2530E-00.



4. Assembly the plate (right side) according to pictures above.

Parts for right side mounting:

Item No.	Part Number	Qty	Description
1	XSM8X55	1	Screw Round M8 x 55
2	XSM8BR	1	Washer Plain M8
3	XSM8ML	1	Lock Nut M8
4	100 400 013	1	Spacer (*only with the Carbon rear axle +1,5)
5	100 400 011	1	Spacer
6	290010	1	Clamp
7	300036	1	Right Bracket
8	350070	1	Clamp tipping lever S3/U3

\*If you do not now with rear axle you have, see the link bellow.

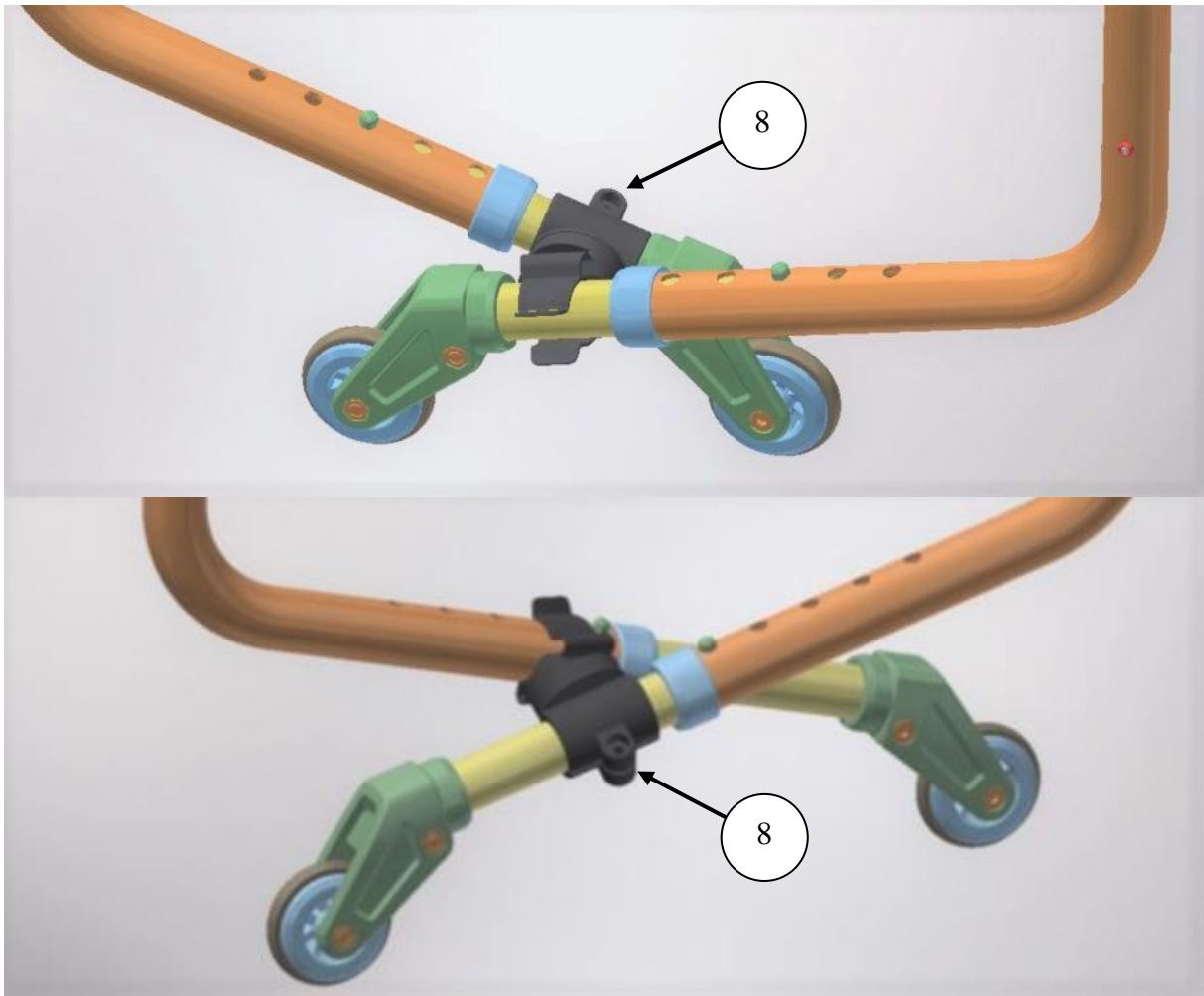
[http://www.panthera.se/panthera/documentation/montering/eng/montering\\_bakaxel\\_kolfiber\\_eng.pdf](http://www.panthera.se/panthera/documentation/montering/eng/montering_bakaxel_kolfiber_eng.pdf)

**Note!** If you only order the mounting set, the axle **it's not included**, for replacement see the service manual.

5. Assemble the under placed battery bag or if have order a Lithium battery place the battery holder as the picture for the right model.

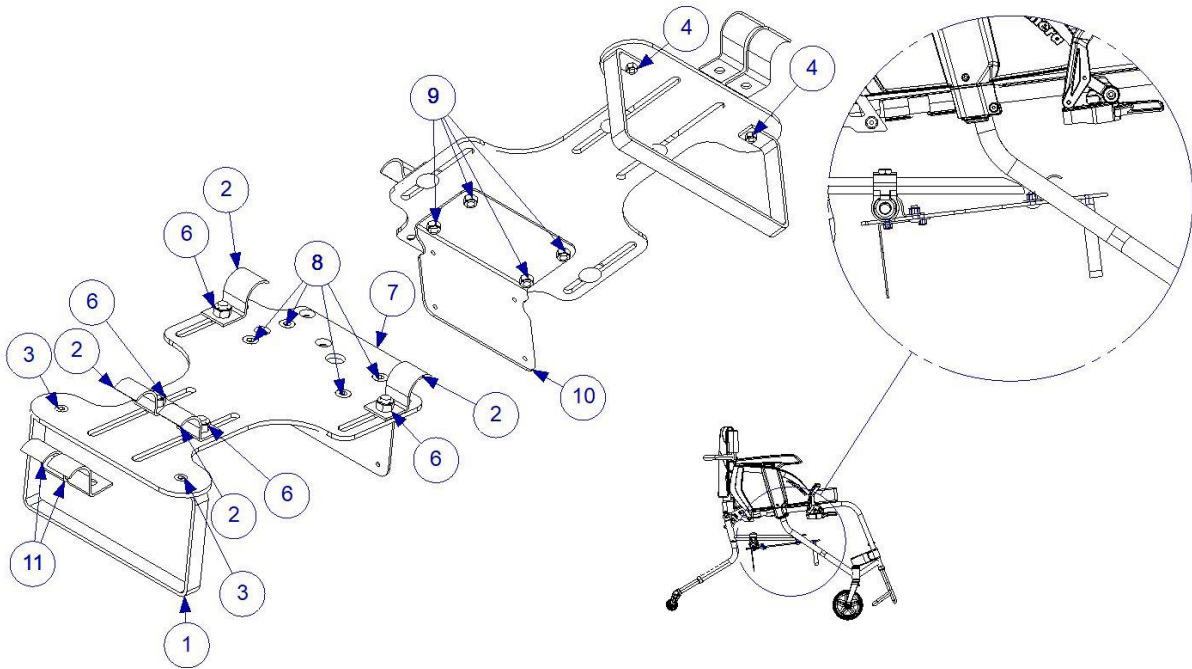
**NOTE!**












Keep in mind that the hinged battery bag and the battery box placed under the seat might interfere with the tipping levers. This can be solved by ordering a back mounted battery case instead of the standard bag or use the plastic clamp to attach the tipping levelers to each other, see the picture below. The mounting of the clamp may need to be adjusted to match the actual seat width. Below are pictures of two mounting examples.



8	350070	1	Clamp tipping lever S3/U3
---	--------	---	---------------------------

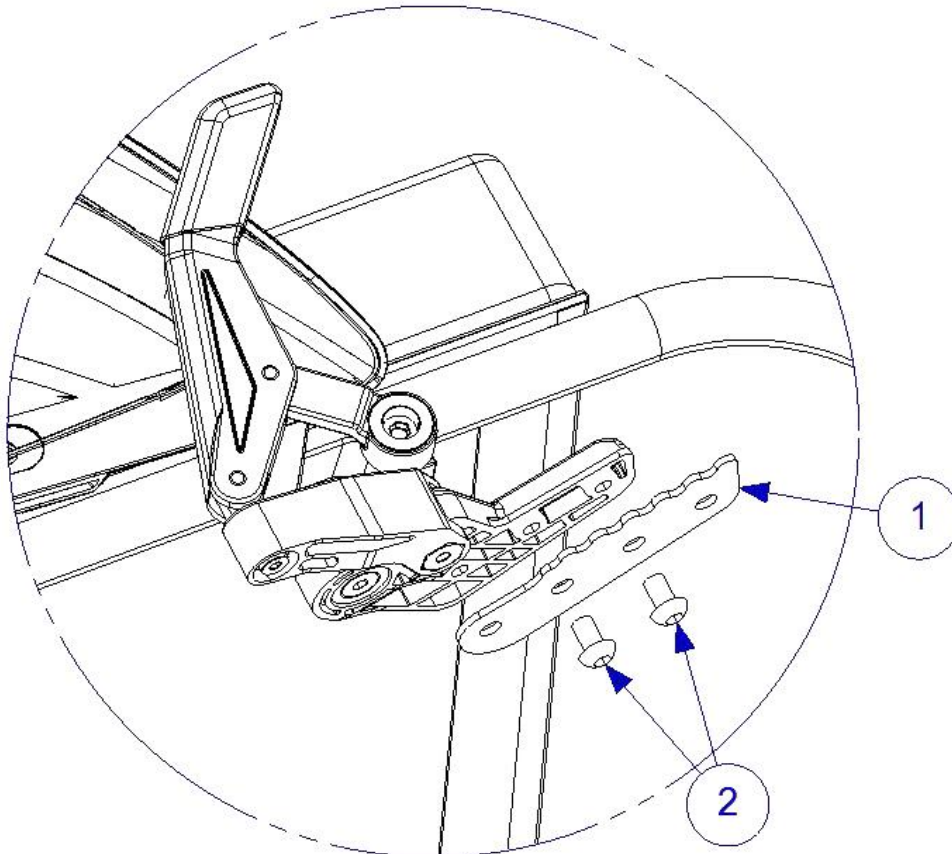
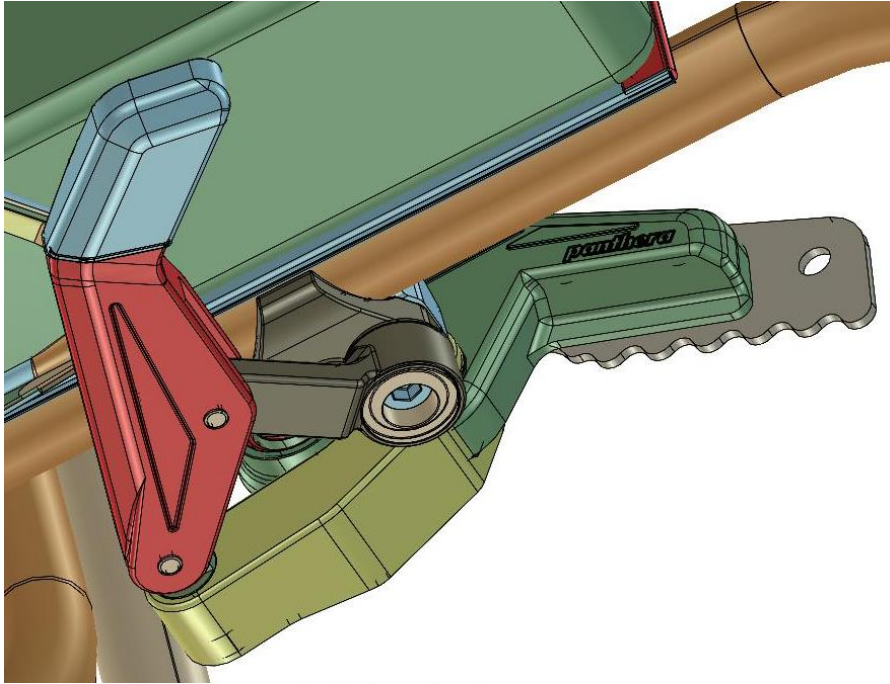
### MEM5014





1	MEM5002	1	
2	MEM5003	4	
3	XSFM5X12	2	
4	XSM5ML	2	
5	XSSM8X16	4	
6	XSM8ML	4	
7	MED5001	1	
8	XSFM6X12	4	
9	XSM6ML	4	
10	MEM5011	1	
11	MEM5004	2	

**Note! Bambino is not included.**

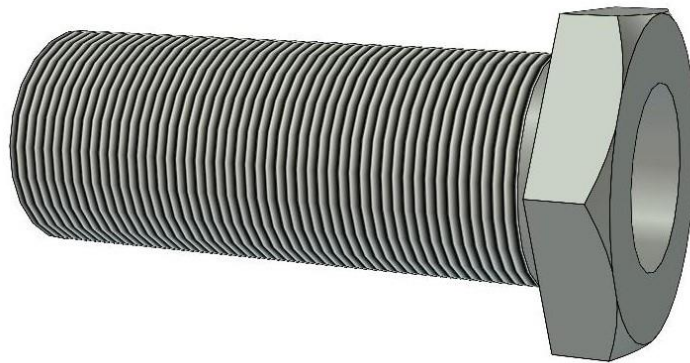
300201



1	300200	1	
2	XSM6X10	2	



M3	1,2 Nm
M4	3 Nm
M5	6 Nm
M6	10 Nm
M8	25 Nm
M10	50 Nm
M12	85 Nm



M16x1	30 Nm
M18x1	40 Nm