



Assembly Instructions

LBM7104, LBM7204

Liberty Mounting set Panthera S3 Swing

2021-02-15
Revision 0



1. Safety

Symbols



Warning!

Risk of serious injury or death.

An operation that, if not correctly performed, may lead to injury to the operator or others.



CAUTION!

Risk of material damage.

An operation that, if not correctly performed, may lead to material damage.



INFO

Particularly important or explanatory information

General instructions

These instructions shall always be followed when placing the mounting set LBM7104 and LBM7204 on a wheelchair.

To be able to connect Liberty to the wheelchair Liberty also needs to be adjusted according to the assembly instructions that is included in the delivery of Liberty.

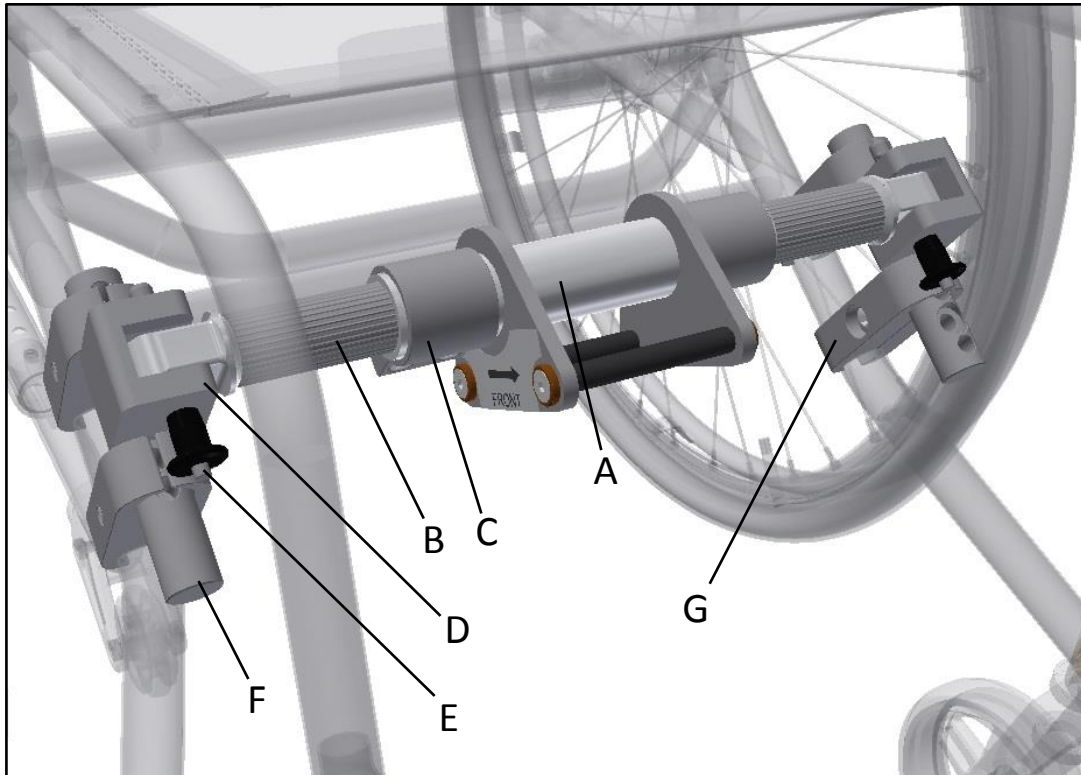
Warnings



WARNING!

Assembly work or changes made to the mounting set must be carried out by trained service technician, reseller or another person assigned by Decon.

2. Overview



A Center pipe adapter bar

B Outer pipe adapter bar

C Clamp adapter bar

D Holder adapter bar

E QR-Pin

F Bar

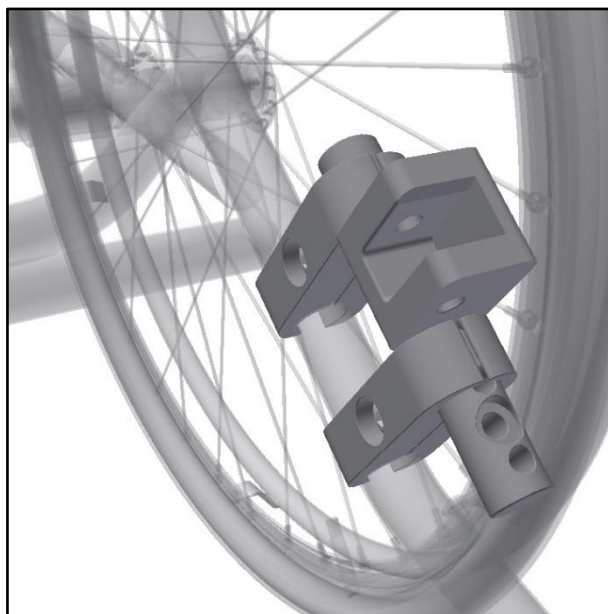
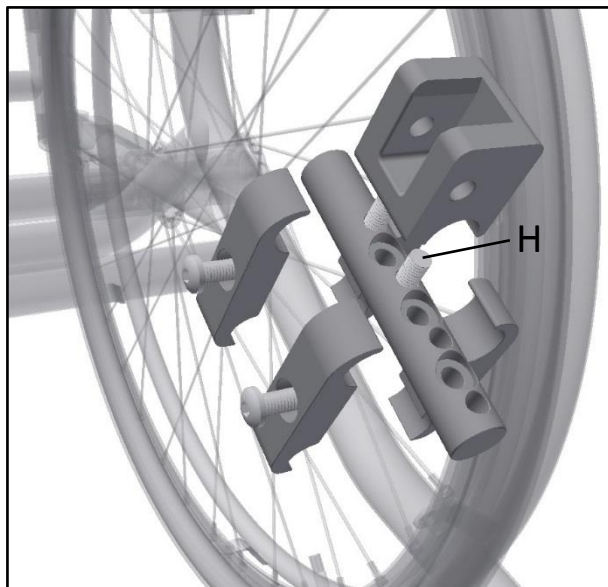
G Chassis clamp

3. Assembly and adjustment of adaptor

First mount the holder (D) onto the bar (F) and secure it by using the screws (H). Now mount the preassembled parts onto the wheelchair by using the chassis clamps (G), see pictures.

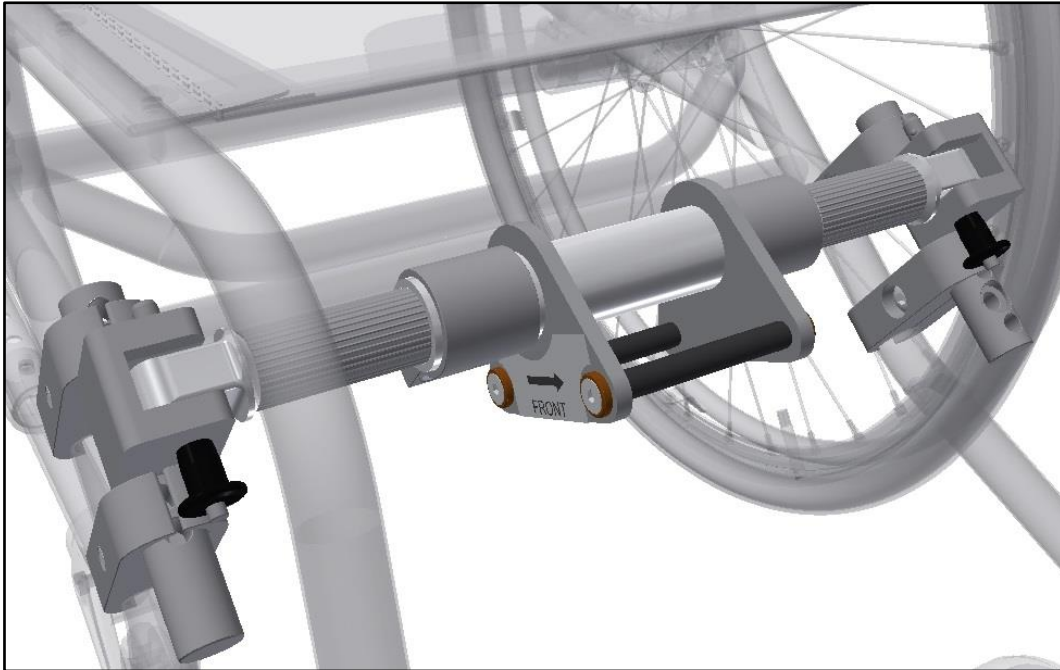
Tighten the screws in the clamps (G) just enough to grip the wheelchair chassis so that the bar (F) can still be adjusted inside the clamps.

Assemble both sides.



WARNING!

The screws (H) must be tightened to 10-15Nm of torque. Loctite 243 or eq. shall be applied to the screw before it is assembled.



Now mount the complete adapter bar that consists of center pipe (A), outer pipe (B) and clamp (C). The complete adapter bar is mounted into the holders (D) by using the QR-pins (E).

Make sure the ends of the outer pipe (B) are parallel otherwise it can be hard to assemble it into the holders (D). It shall be possible to move the center pipe sideways and also rotate it if correctly assembled.

Now tighten the screws in all of the clamps (G).

INFO

Check that the arrow on the labeling mounted on the center pipe (A) is pointing towards the front of the wheelchair. If the center pipe (A) is mounted the wrong way around it will not be possible to attach Liberty to the bar.

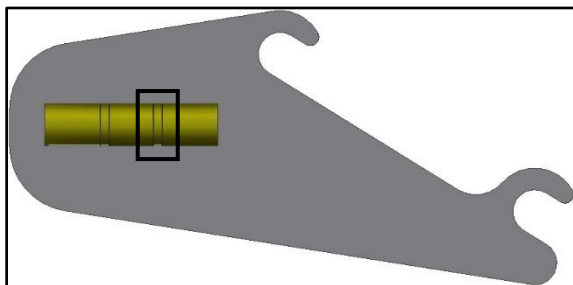
WARNING!

The screws holding the clamps (G) shall be tightened to:
7-9Nm of torque (M6)
10-15Nm of torque (M8)

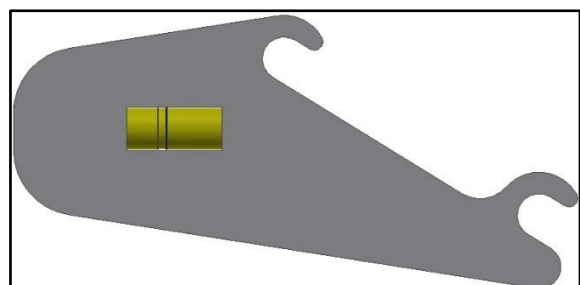
i INFO

There are two types of assembly tools. The old version where the complete spirit level is shown and one new version where the front part of the spirit level is hidden. When using the old version make sure that the bubble in the spirit level sits on the lines of the back part of the spirit level (marked on the pictures bellow with a rectangle). Since the adapter bar now have splines inside it will not be possible to get the bubble of the spirit level exactly right. Just choose the most correct position.

Old version



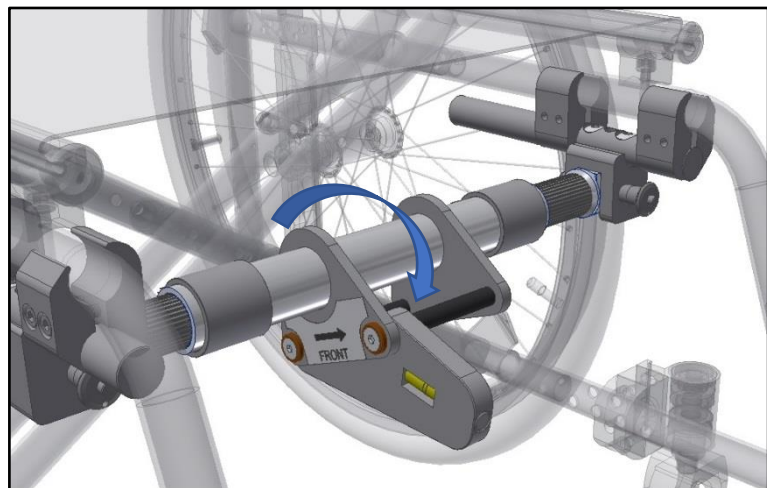
New version



Adjustment of the angle can be done in two different manners. Both is described bellow.

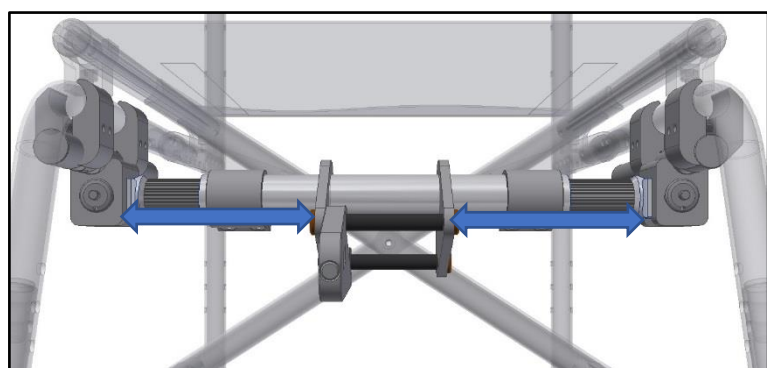
Alt1.

Using the adjustment tool that is included in the delivery of Liberty (not this mounting set), set the angle of the adaptorbar so that the spirit level is in level. Inside the pipes there are splines so when rotating you will feel and hear a clicking. When desired angle have been accomplished, check that the center pipe is centered in the wheelchair. Now tighten the screws in the clamps (C).



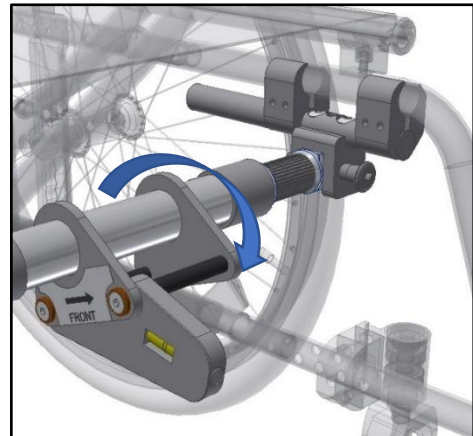
! WARNING!

The screws holding the clamps (C) shall be tightened to 7-9Nm of torque.



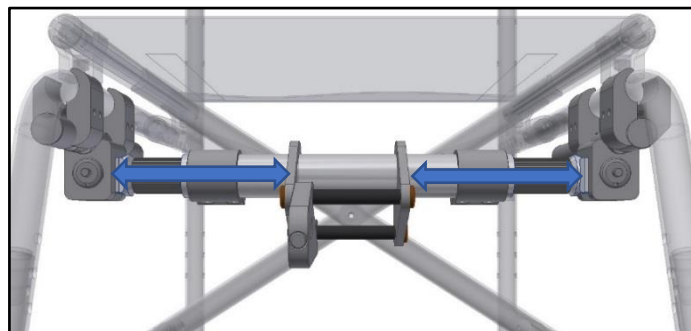
Alt.2

Using the adjustment tool that is included in the delivery of Liberty (not this mounting set), set the angle of the adaptorbar. Only mount the inner pipe on one side and then rotate the center pipe to the correct angle. Now mount the other inner pipe in the same position/angle as the first one. Check that the center pipe is centered in the wheelchair. Now tighten the screws in the clamps (C).



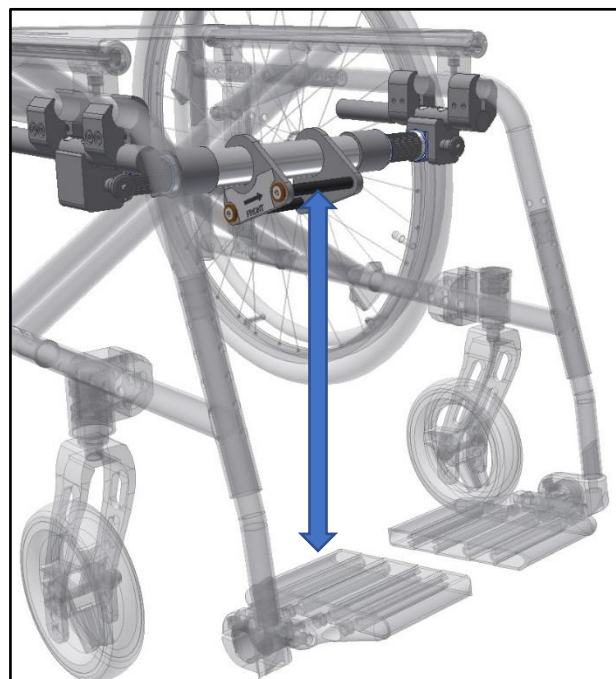
WARNING!

The screws holding the clamps (C) shall be tightened to 7-9Nm of torque.



With a measuring tape the height between the ground and the upper docking pin of the adapter bar is measured. This will be used later when assembling Liberty.

Now read the assembly instructions that was included in the delivery of the Liberty unit. Assemble and adjust the Liberty according to the instruction.



INFO

Don't forget to reassemble the brakes of the wheelchair in case these were removed when mounting the adaptor. Also, if the seat cloth was loosened during mounting of the adaptor don't forget to reassemble this.

Decon Wheel AB
Södra Ekeryd 119, SE-314 93 Hyltebruk, Sweden
Tel: +46 (0)345 40880
Fax: +46 (0)345 40895
E-mail: info@decon.se

