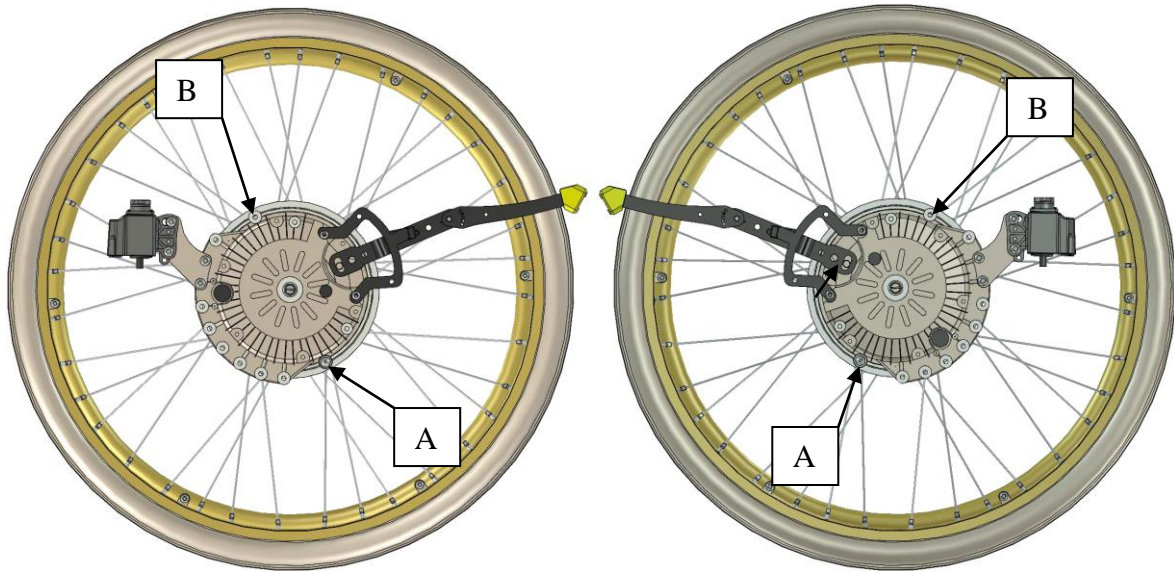
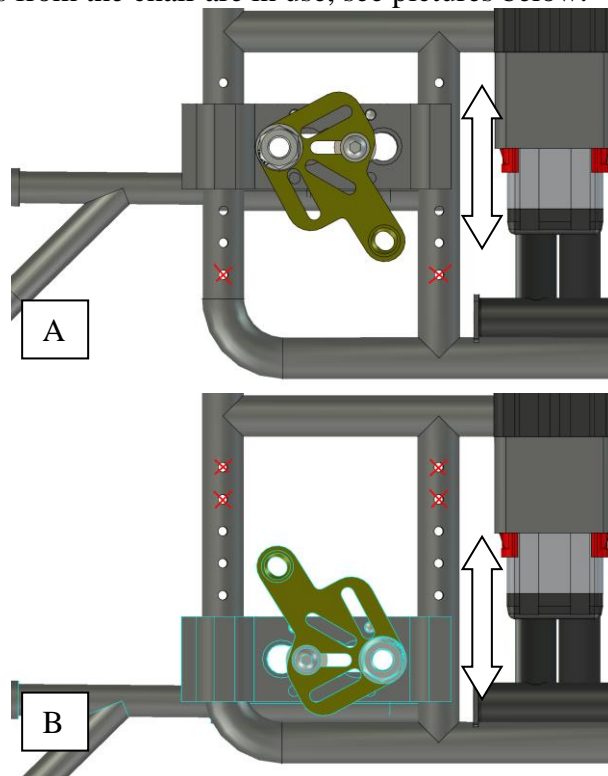


## Assembly instructions for Emineo with Onetool Block MED3153

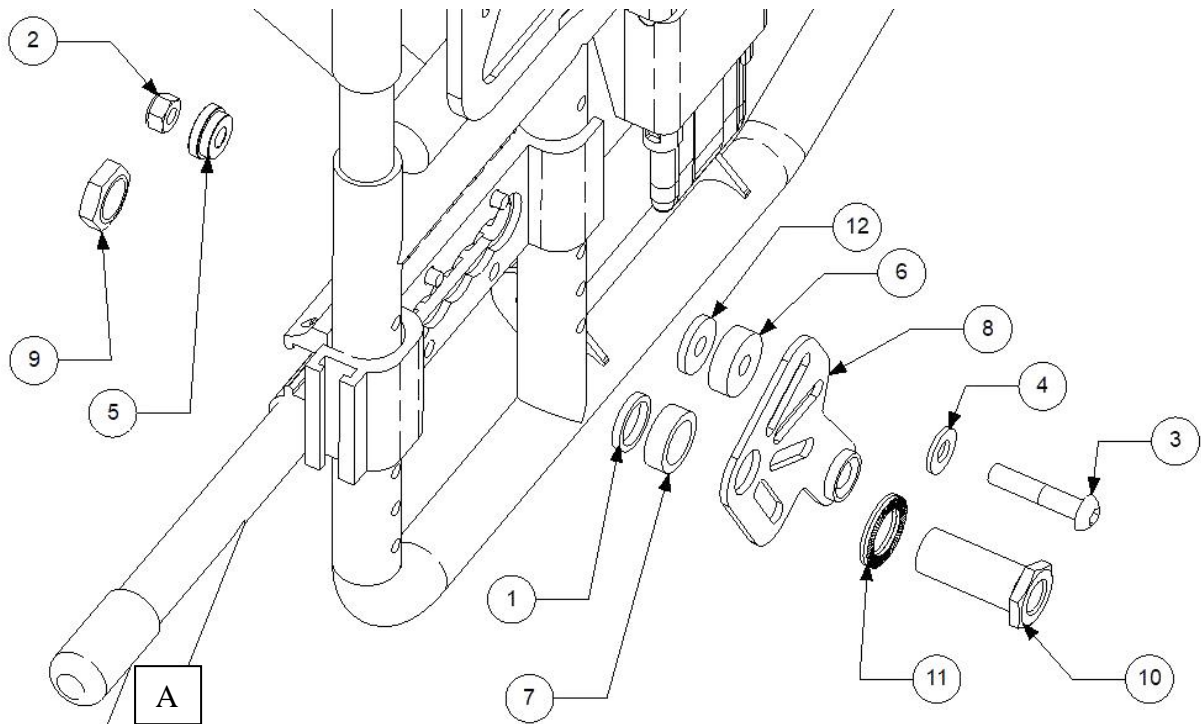
1. Remove wheels on both sides.



2. Check the correct placement for the stop pin, remove battery and anti tip devices from the E-drive.
3. Anti tip devices from the chair are in use, see pictures below.



4. Placement for the adapter plate.



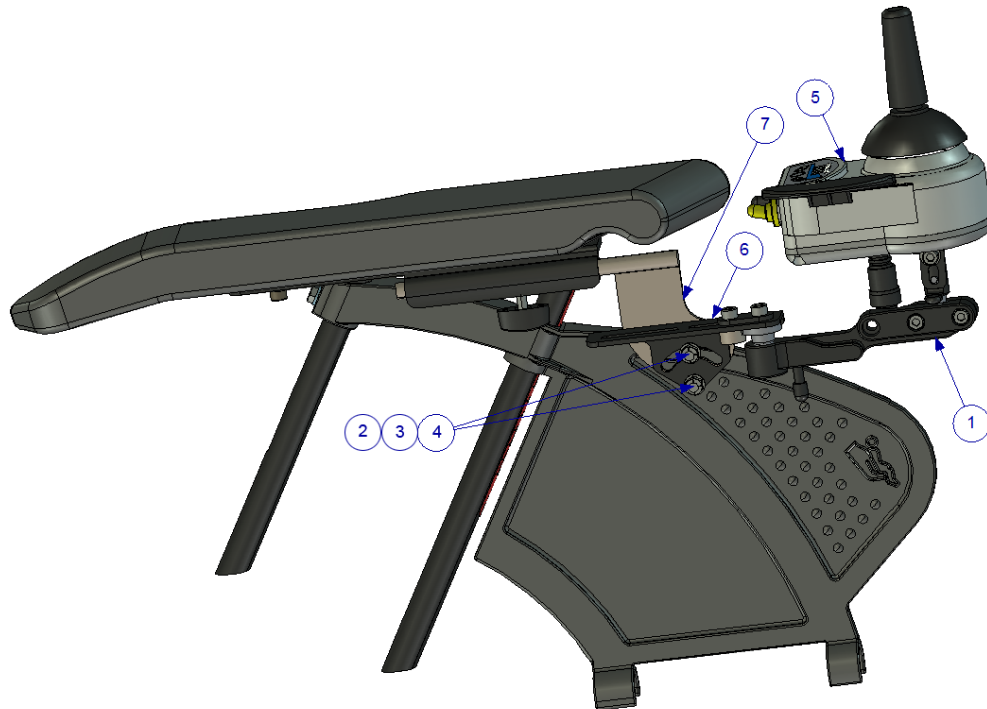
5. Assemble the plate (right side) according to picture.

Parts pair mounting set:

Item No.	Part Number	Qty	Description
1	100 400 106	1	Spacer
2	XSM8LM	1	Lock Nut M8
3	XSM8X40	1	Screw M8 x 40
4	XSM8BR	1	Plain Washer 8,4
5	100 400 008	1	Spacer
6	100 400 013	1	Spacer
7	100 400 016	1	Spacer
8	MED2004	1	Bracket
9	XSM18M	1	Nut M18 x1
10	HW084	1	Sleeve M18X1
11	405241	1	Nordlock Washer M18
12	100 400 107	1	Spacer

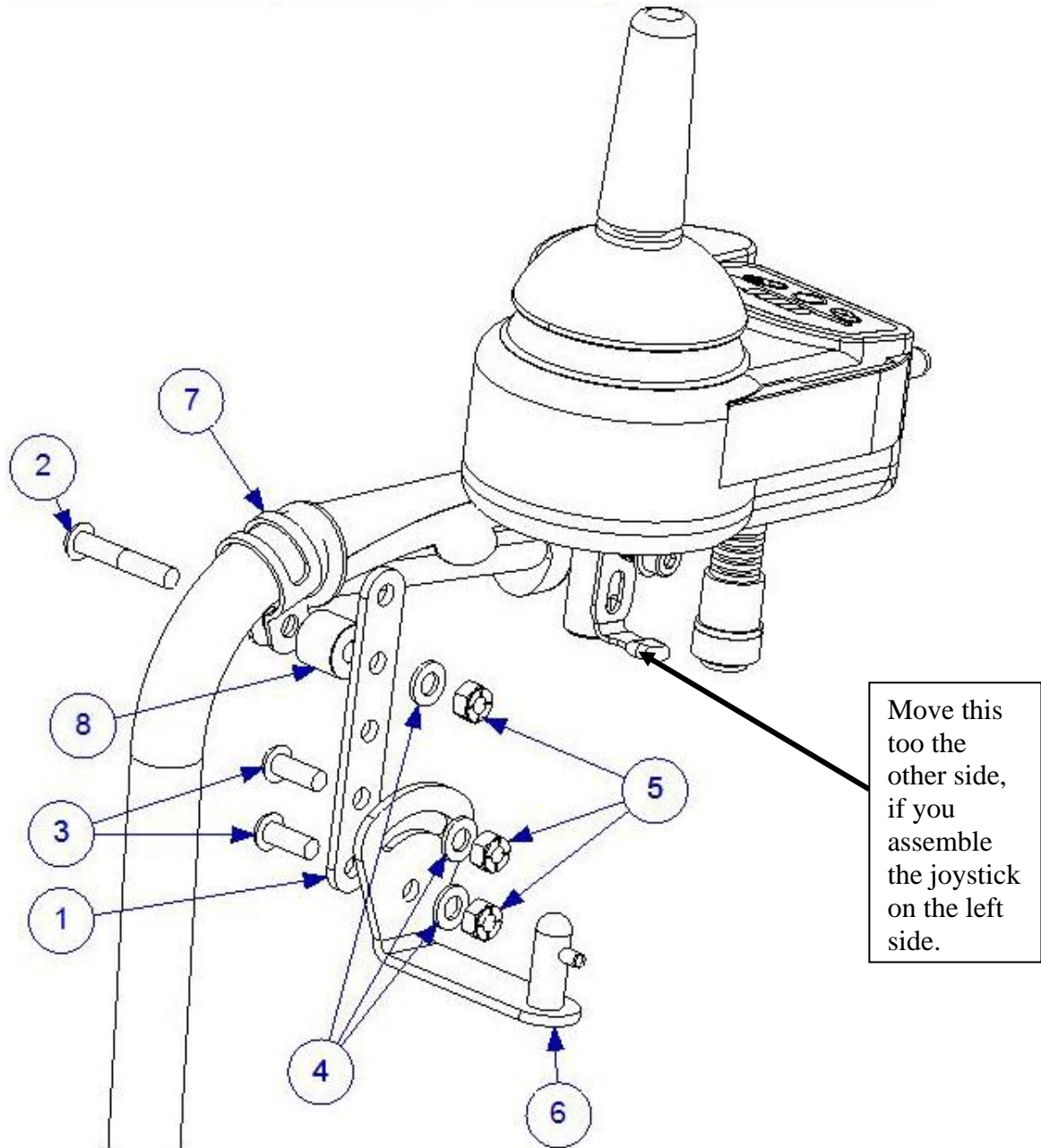
6. Assemble the back placed battery bag.

## Emineo with Joystick



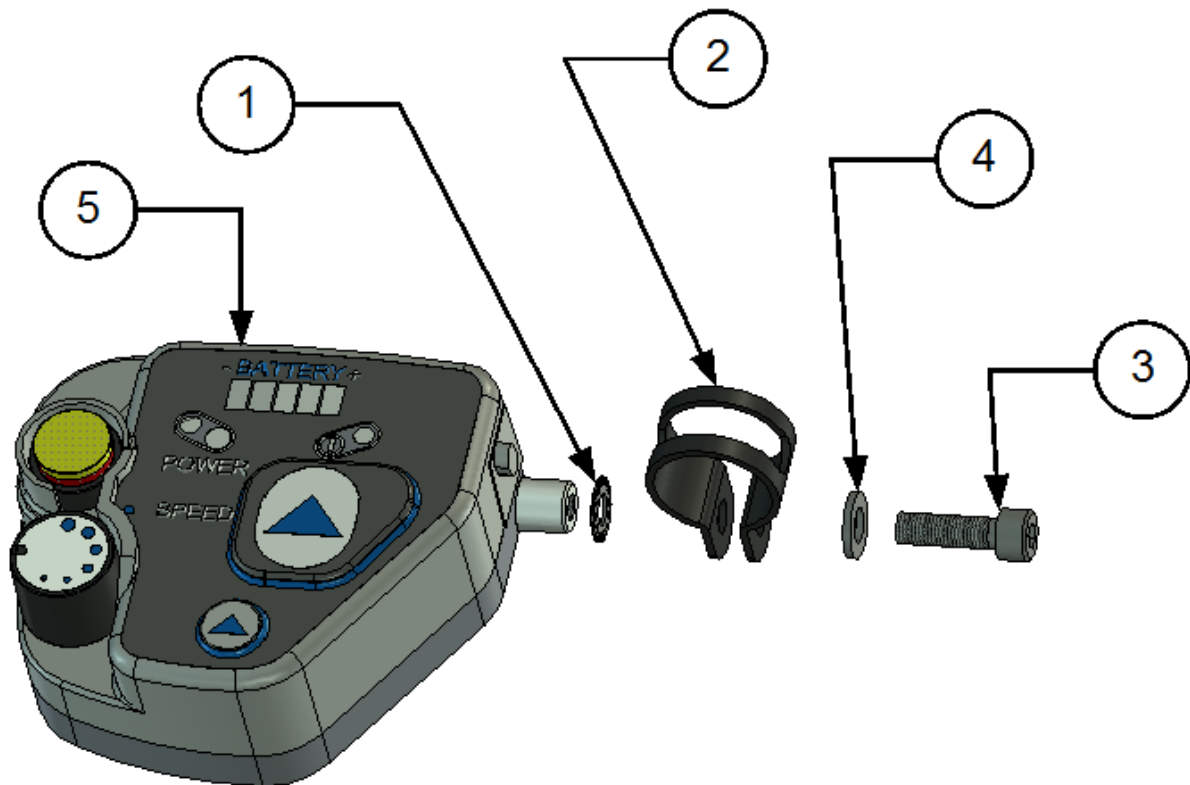
Item No.	Part Number	Qty	Description
1	XOC-48160-B0	1	Upper holder assembly 2
2	XSM6X16	2	Screw Round M6 x 16
3	XSM6BR	2	Washer Plain M6
4	XSM6ML	2	Nut Self-Locking M6
5	XOC-48110-A0	1	Remote Control Assembly
6	XOC-46295-00	1	Sheet Metal Bracket
7	MED1328	1	Joystick Bracket

## Attendant control with joystick (left and right side) MED1409



Item No.	Part Number	Qty	Description
1	MED1317	1	Bracket
2	XSM6X35	1	Screw M6 x 35
3	XSM6X16	2	Screw M6 x 16
4	XSM6BR	3	Plain Washer M6
5	XSM6ML	3	Locknut M6
6	MED1316	1	Plate with pin
7	Xklamma2	1	XClamp2
8	100 400 044	1	Spacer

## Alternative attendant control (only right side)



Item No.	Part Number	Qty	Description
1	XSM6TG	1	Thorn Washer 6,4
2	Xklamma2	1	XClamp2
3	XSM6X20	1	Screw M6 x 20
4	XSM6BR	1	Plain Washer 6,4
5	MED1200	1	Attendant control

**Åtdragningsmoment / Tightening torque**

Metrisk grovgängor, stål.  
Metric coarse threads, steel.

<i>Gänga / Thread</i>	<i>Åtdragningsmoment / Tightening torque</i>
M3	1,2 Nm
M4	3 Nm
M5	6 Nm
M6	10 Nm
M8	25 Nm
M10	50 Nm
M12	85 Nm

Navhylsa  
Sleeve

<i>Gänga / Thread</i>	<i>Åtdragningsmoment / Tightening torque</i>
M16x1	30 Nm
M18x1	40 Nm