



Assembly Instructions

ADV5X02DSK, ADV5X03DSK, ADV5X04DSK,
ADV5X05DSK, ADV5X06DSK, ADV5X07DSK,
ADV5X15DSK, ADV5X18DSK

Adventus DSK adapter bar
Universal

2025-03
Revision 4



1. Safety

Symbols



Warning!

Risk of serious injury or death.

An operation that, if not correctly performed, may lead to injury to the operator or others.



CAUTION!

Risk of material damage.

An operation that, if not correctly performed, may lead to material damage.



INFO

Particularly important or explanatory information

General instructions

These instructions shall always be followed when placing the mounting ADV5 Adventus DSK adapter bar universal on a wheelchair.

Adjustment of the Adventus wheel is described in the user manual of the Adventus wheel.

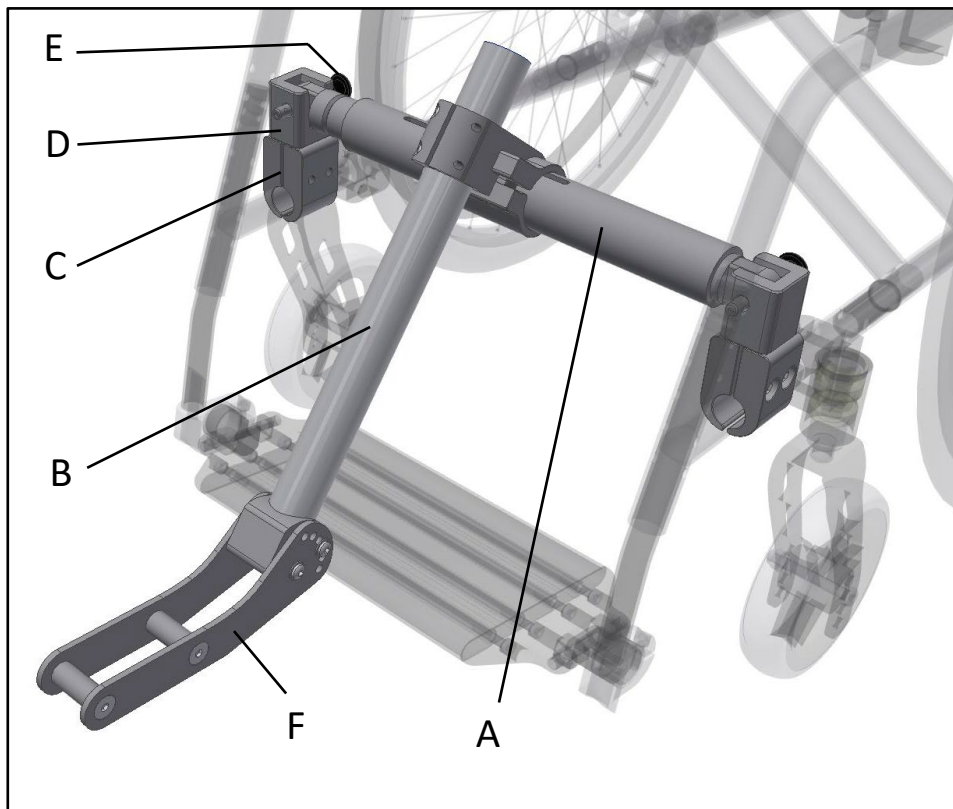
Warnings



WARNING!

Assembly work or changes made to the mounting set must be carried out by trained service technician, reseller or another person assigned by Decon.

2. Overview



- A Adapter bar
- B Fork adapter bar
- C Clamps
- D Holder
- E QR pin
- F Fork

INFO

The Adapter kit can vary depending on the tube size of the chassis and might not match the one in the picture above. This assembly instruction shows the Adapter kit mounted in the lower pipes of the wheelchair.

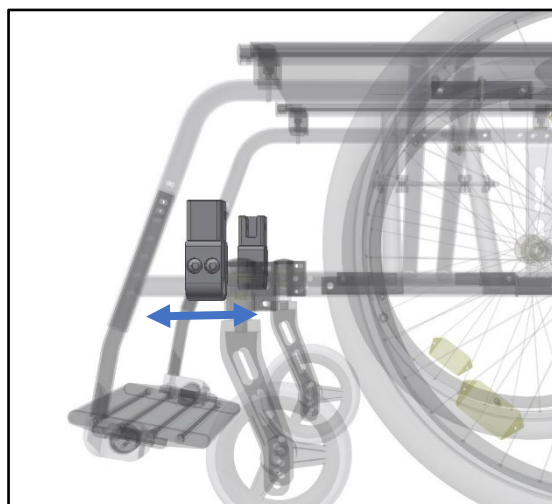


INFO

Adapter kit, depending on the wheelchair frame, can be mounted on the upper or lower pipes of the wheelchair. In both positions, the principle of mounting is the same as described in the following chapters.

3. Mounting adapter kit

First, mount the Clamps (C) and Holder (D) on the lower frame tubes by using the provided screws, face the two Holder (D) openings toward each other. Now tighten the screws so that the Clamps (C) can still be moved along the wheelchair frame tubes.



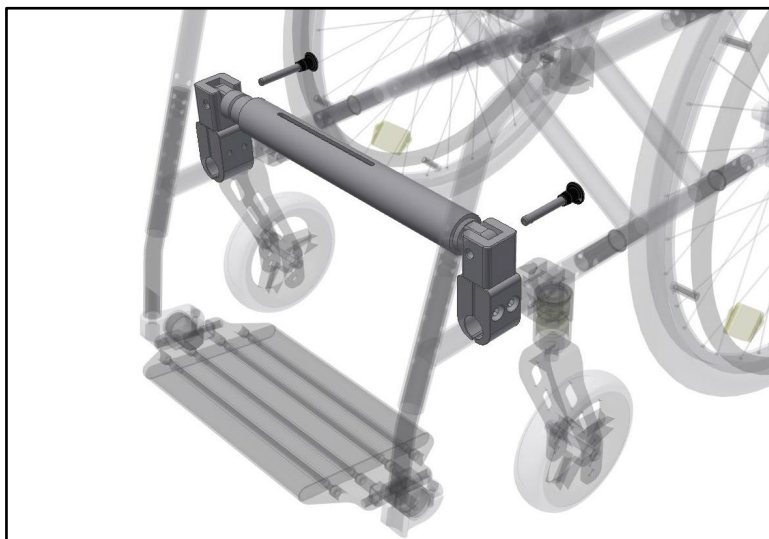
 INFO

The Clamps (C) and Holder (D) should be mounted in vertical position.

 INFO

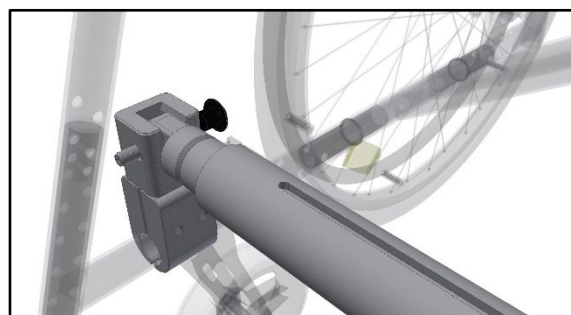
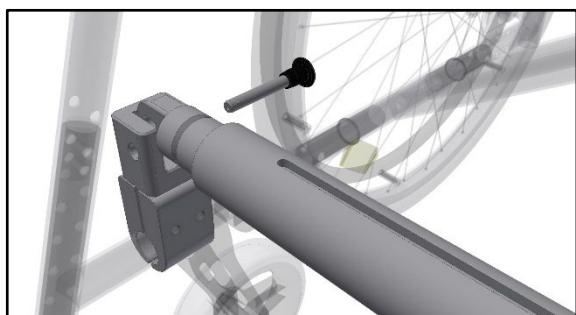
If possible, place the screws toward inside of the wheelchair for better accessibility.

Mount the Adapter bar (A) into the Holders (D) and lock it into place using the QR Pins (E). Now, tighten the clamp (C) screws.



 INFO

The QR Pins (E) can be inserted into Holder (D) either from back or front sides.



 INFO

After the screws are tightened check that the Adapter bar (A) can still be removed from the Holders (D) without excessive force. If the adapter bar (A) is stuck in the Holders (D), loosen the screws on one side and adjust the position.

 **WARNING!**

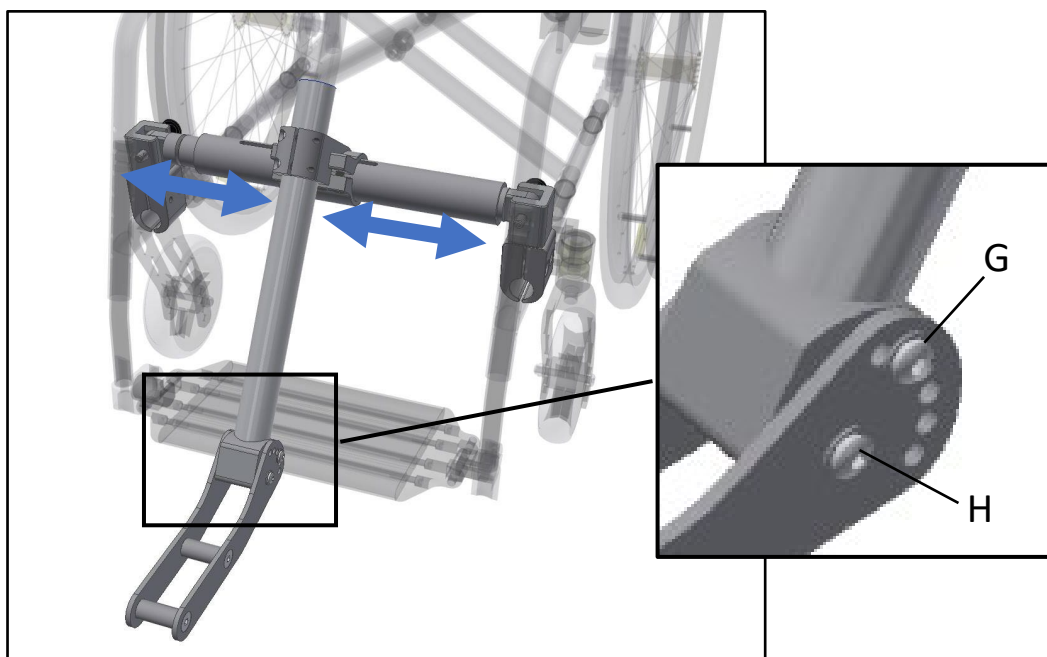
The screws holding the clamps (C) shall be tightened to 20-25Nm of torque. Loctite 243 or eq. must be applied.

4. Adjustment of the adapter bar

Mount fork adapter bar (B) onto Adapter bar (A).

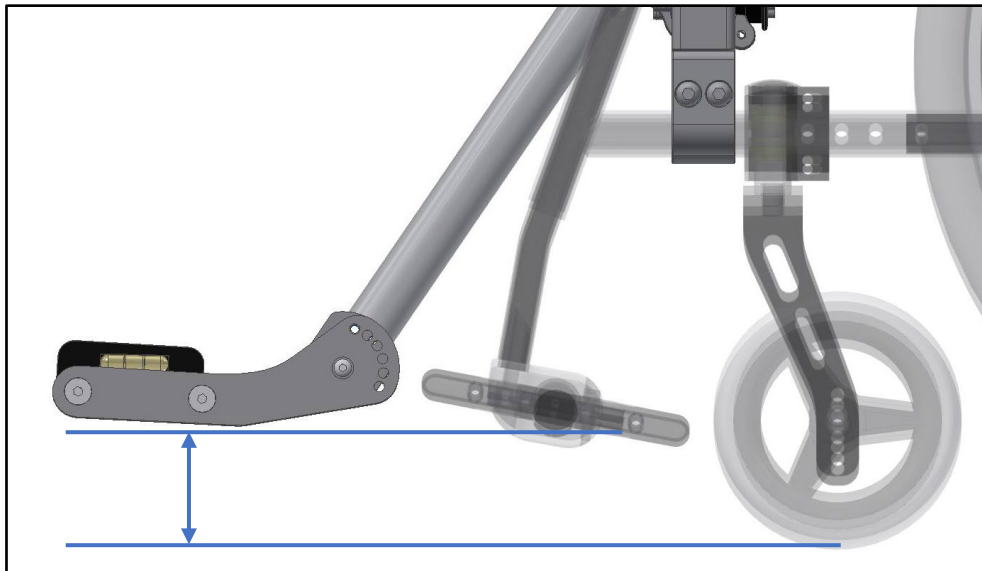


Make sure that fork adapter bar (B) is placed in the center of the wheelchair. Remove the screws (G) in the fork that locks the rotation, also make sure that the screws (H) are a little loose.



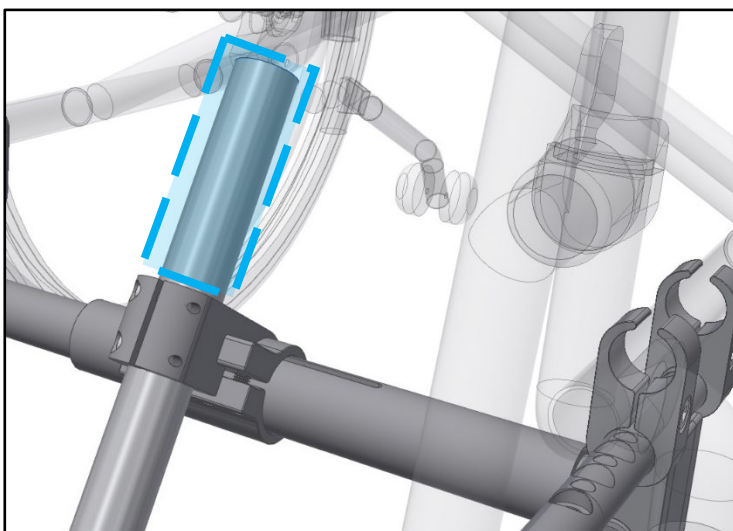
Mount the level tool onto the fork (F). Then, adjust the height and the angle of both Fork-adapter bar (B) and Fork (F) to a position where the level tool shows the correct angle and there is not collision with the wheelchair footrest.

The fork can be positioned both under and over the footrest depending on wheelchair model and footrest position.

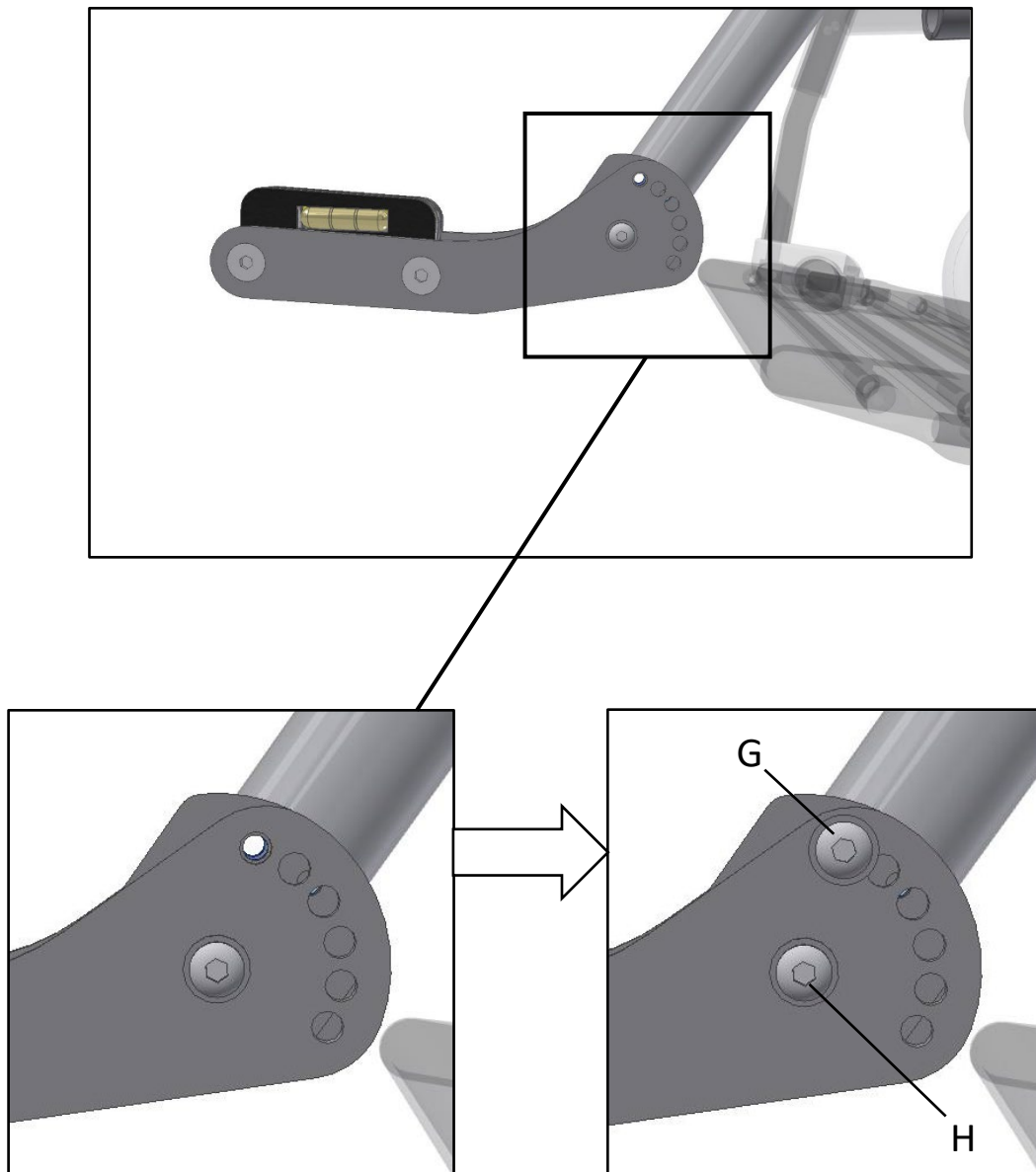


 INFO

The excessive part of the fork adapter bar (B) can be cut off with a regular hacksaw if it interferes with the wheelchair frame.



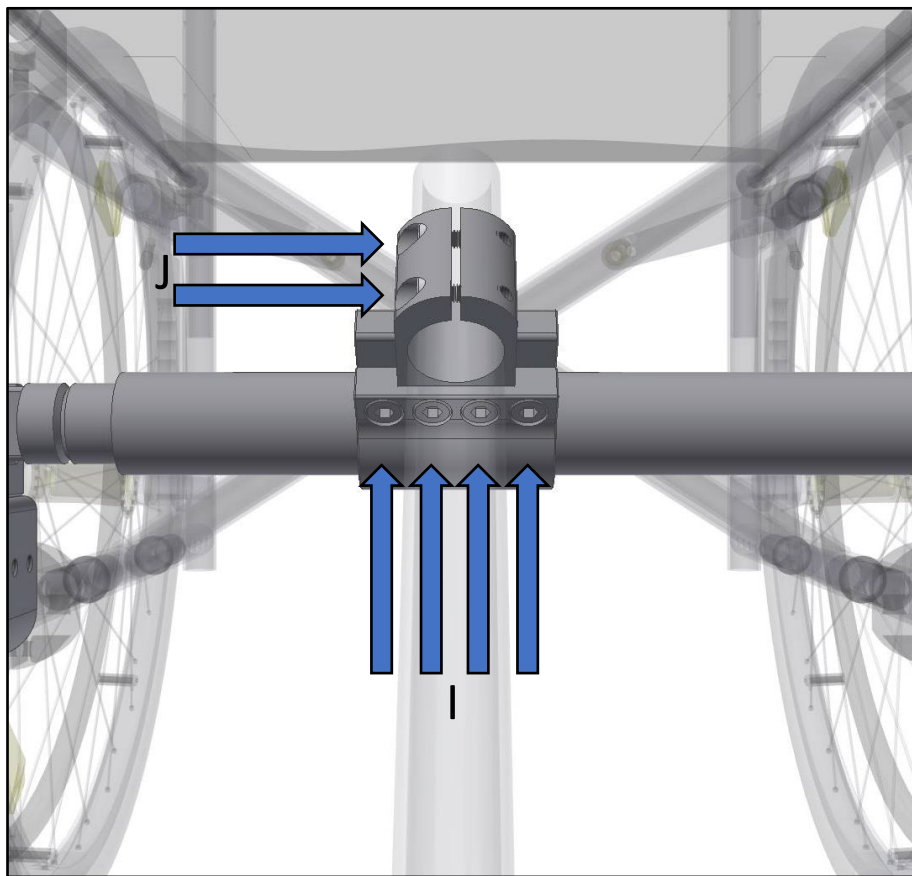
Reassemble the rear screws (G) in the hole that is fits the best. Tighten the screws.



 **WARNING!**

The screws (G&H) shall be tightened to 7-9Nm of torque. Loctite 243 or eq. must be applied if locking washers are not used.

Now, tighten the screws that sits in the clamps on the Adapter bar (A) and on fork adapter bar (B). On both clamps, slightly tighten all screws. It is important to not completely tighten each screw, but to slowly tighten them a little at a time. **Keep tightening until each of four screws (I) are secured (30-35Nm of torque) and each of two screws (J) are secured (9-10Nm of torque).** Also, make sure one last time that the fork is centered and the angle of the level tool is still correct.



Check one last time that all screws are properly secured. Now, see the user manual of Adventus to continue the installation. This can be downloaded from www.decon.se/en/

Decon Wheel AB
Södra Ekeryd 119, SE-314 93 Hyltebruk, Sweden
Tel: +46 (0)345 40880
Fax: +46 (0)345 40895
E-mail: info@decon.se

