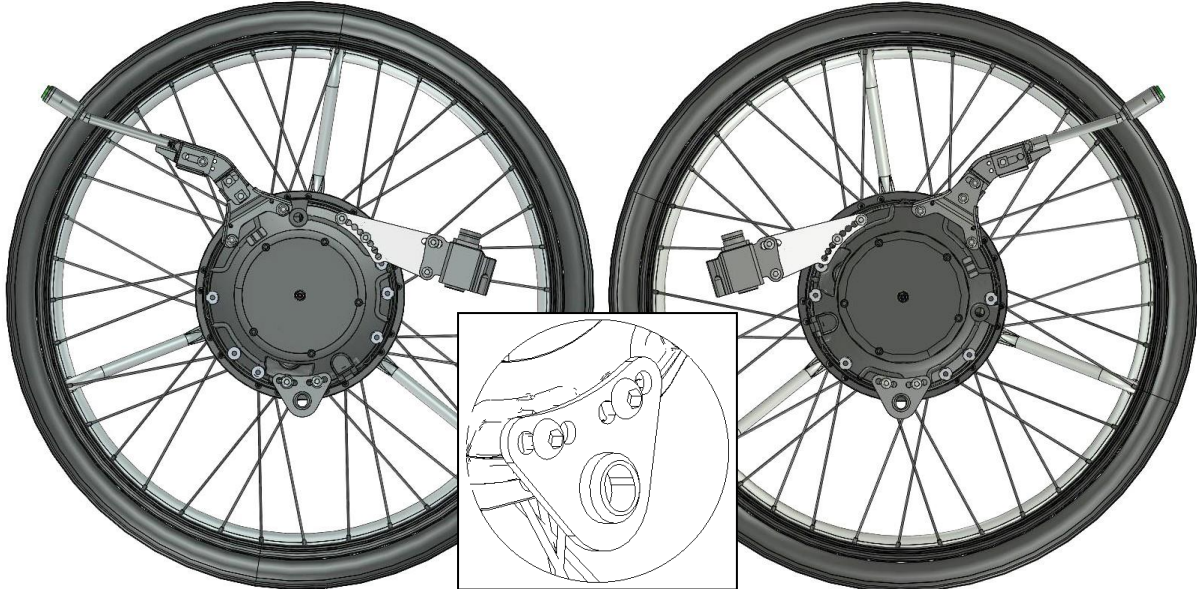
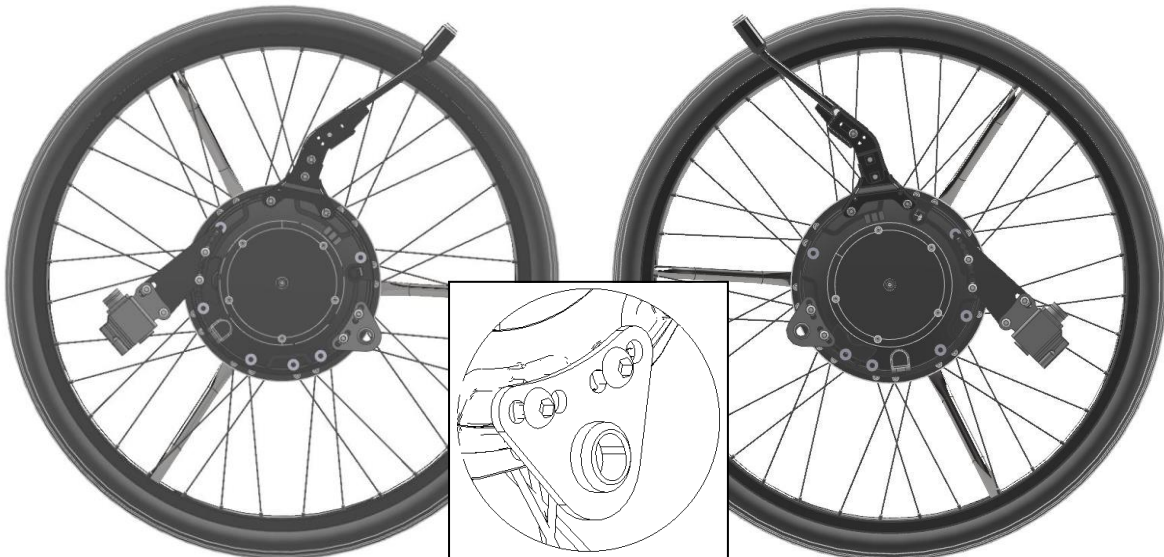


**Assembly instruction New eMove for Panthera Typ 30+ with raised rear axle  
MEM6003-30+ and MEM6004-30+**

1. Remove the wheel on both sides.

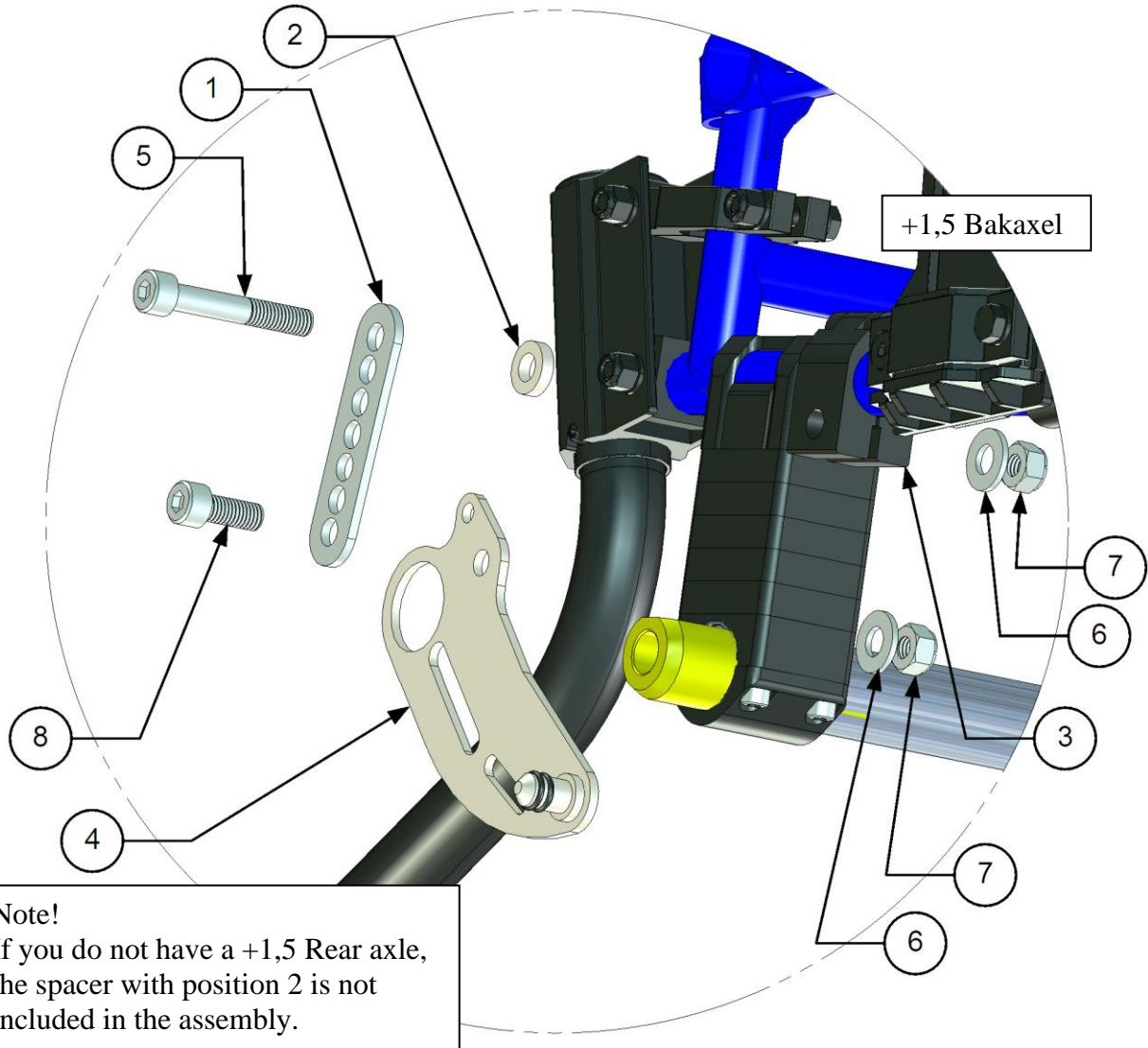


2. Check the correct placement for the eMove, for arear axle with +10, +20, +30 and +40 see pictures above, and that it is mounted  $\text{\O}12,7 \times 46$  axle with Part Number: XOE-2530E-00.



3. Check the correct placement for the eMove, for arear axle with +50 och +60 see pictures above, and that it is mounted  $\text{\O}12,7 \times 46$  axle with Part Number: XOE-2530E-00.

4. Mount the bracket depending on with model you have.



Note!  
If you do not have a +1,5 Rear axle, the spacer with position 2 is not included in the assembly.

5. Assembly the plate (right side) according to pictures above.

Parts for right side mounting:

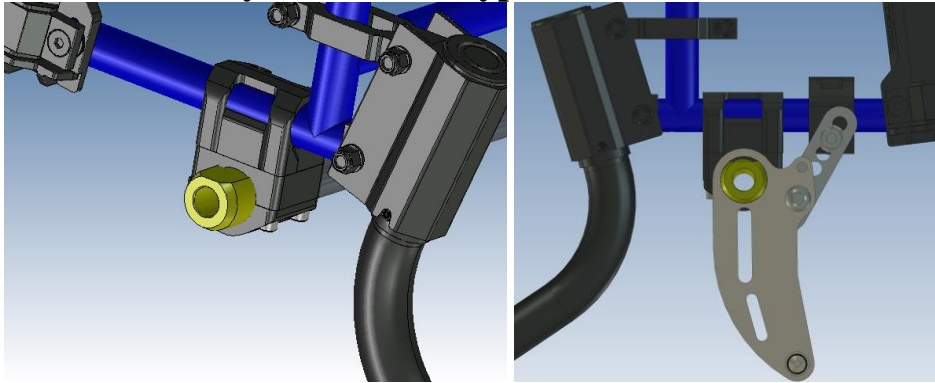
Item No.	Part Number	Qty	Description
1	300020	1	Bracket
2	100 400 001	1	Spacer*(only +1,5 Rear axle)
3	290010	1	Clamp
4	300036	1	Right Bracket
5	XSM8X50	1	Screw M8 x 50
6	XSM8BR	2	Plain Washer M8
7	XSM8ML	2	Locknut M8
8	XSM8X20	1	Screw M8 x 20

\*If you do not now with rear axle you have, see the link bellow.

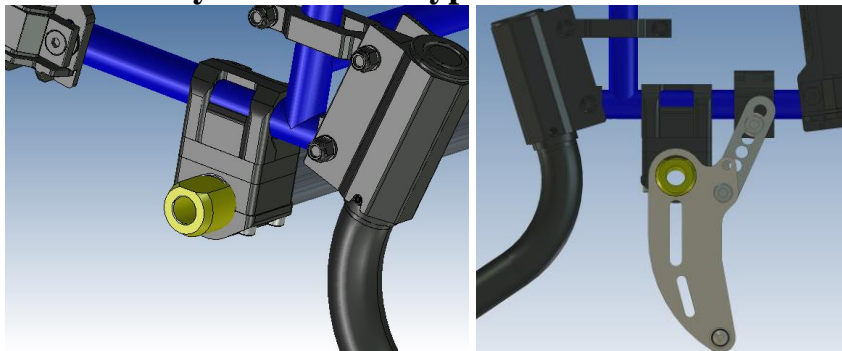
[http://www.panthera.se/panthera/documentation/montering/eng/montering\\_bakaxel\\_kolfiber\\_eng.pdf](http://www.panthera.se/panthera/documentation/montering/eng/montering_bakaxel_kolfiber_eng.pdf)

**Note! If you only order the mounting set, the axle it's not included, for replacement see the service manual.**

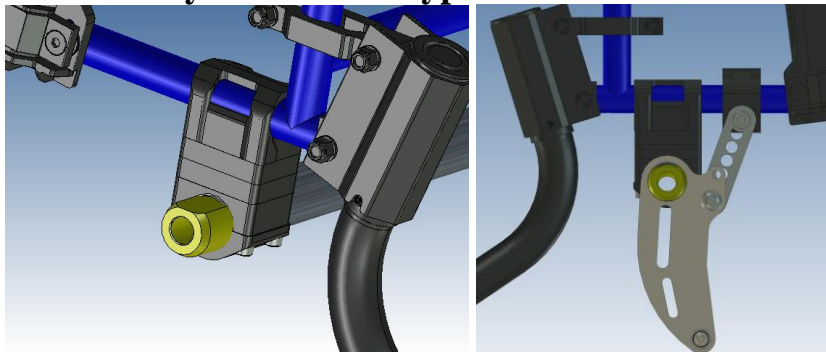
**Assembly instruction Type 30 with raisers +10**



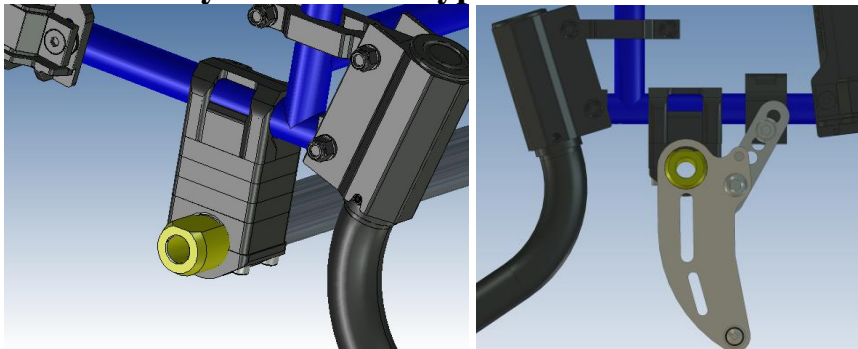
**Assembly instruction Type 30 with raisers +20**



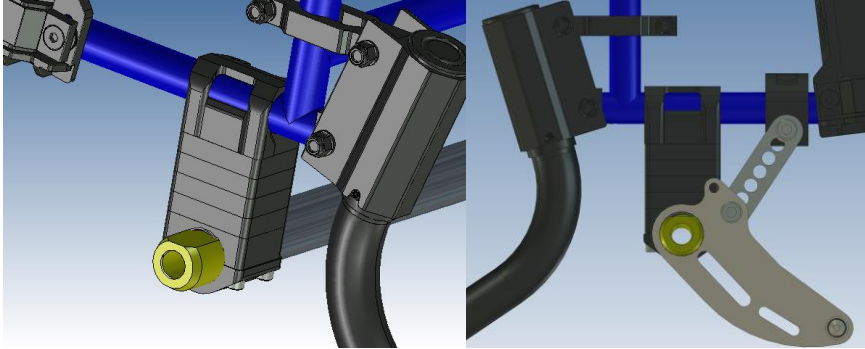
**Assembly instruction Type 30 with raisers +30**



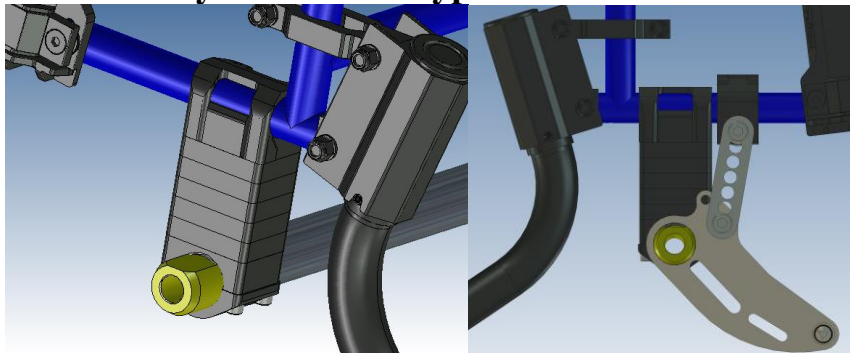
**Assembly instruction Type 30 with raisers +40**



**Assembly instruction Type 30 with raisers +50**

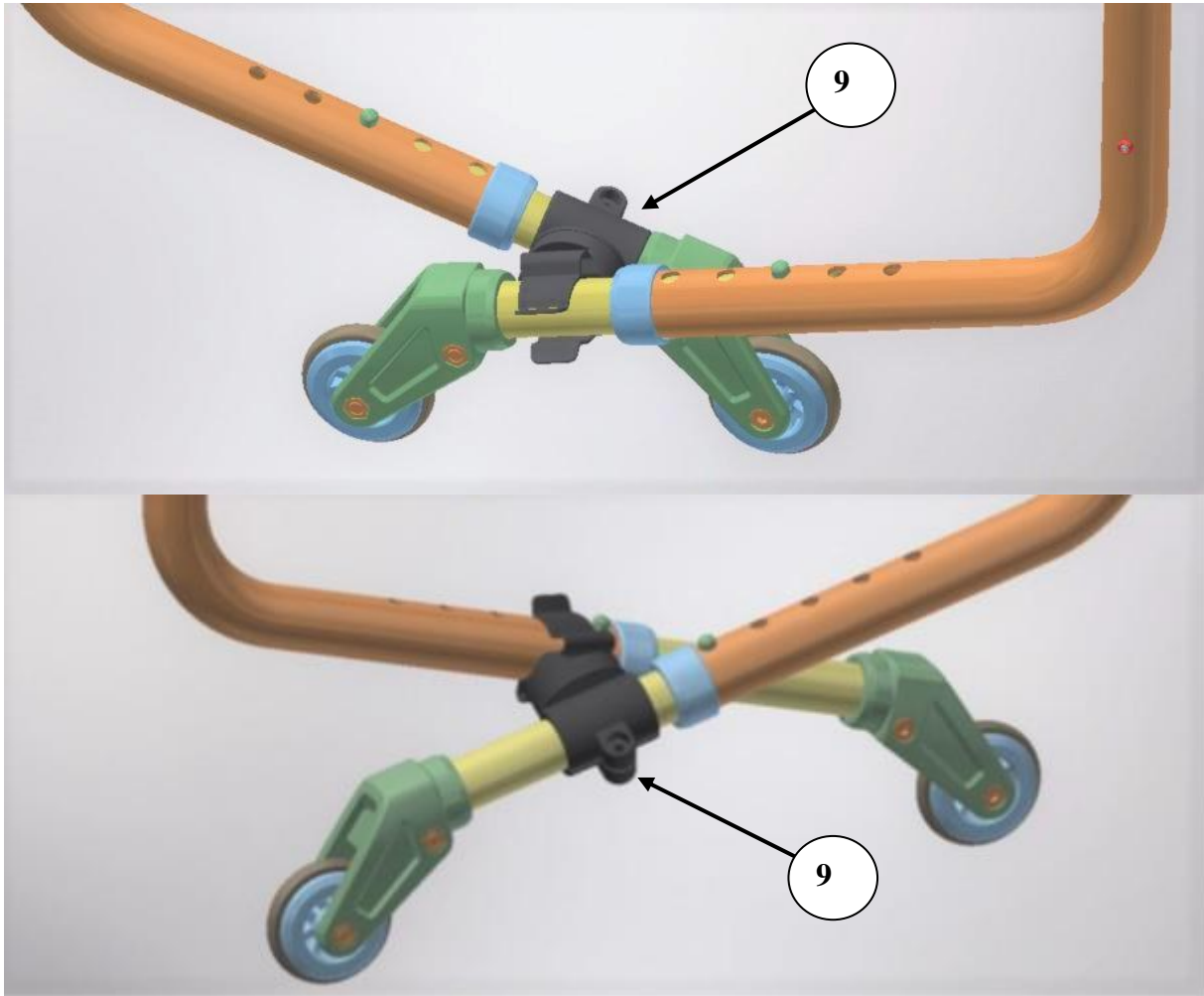


**Assembly instruction Type 30 with raisers +60**



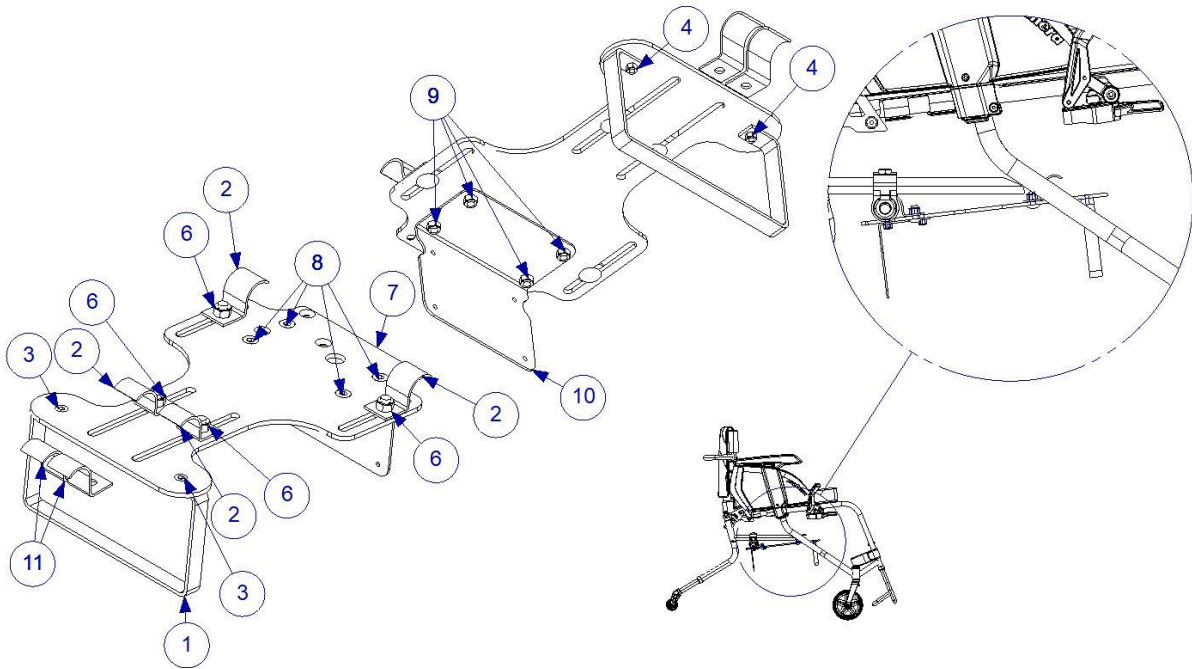
# decon wheel






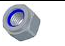





6. Assemble the under placed battery bag or if have order a Lithium battery place the battery holder as the picture bellow



9	350070	1	Clamp Antitipers S3/U3
---	--------	---	------------------------

## MEM5014

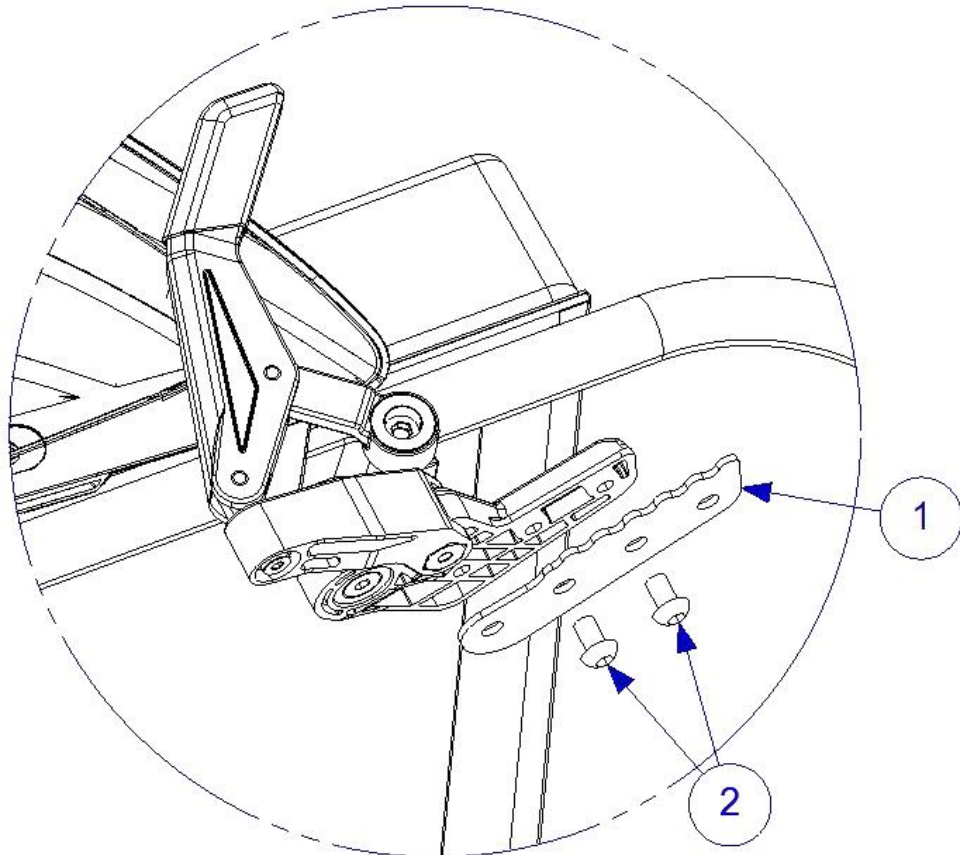
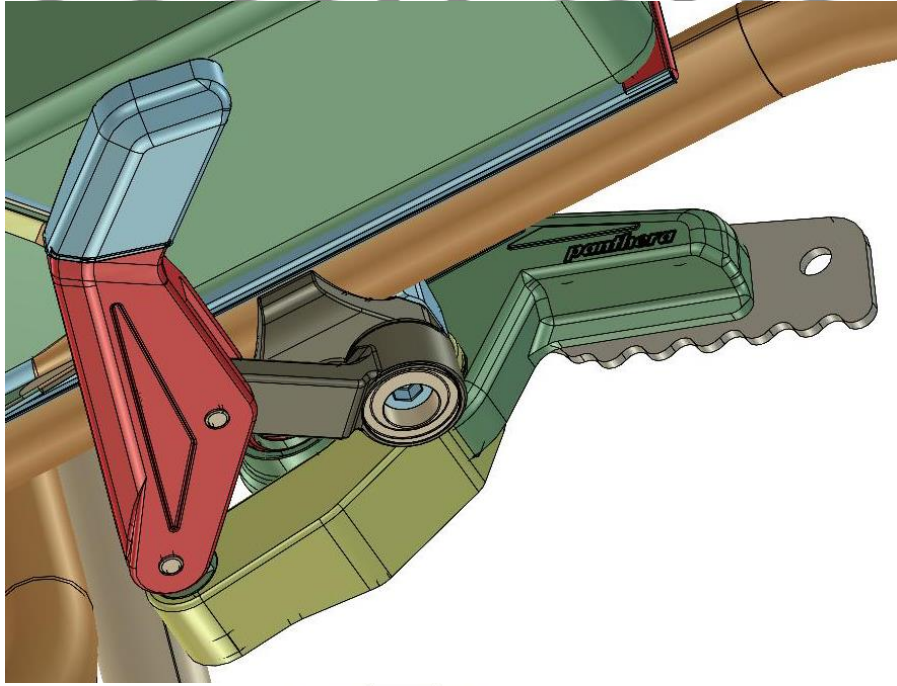




1	MEM5002	1	
2	MEM5003	4	
3	XSFM5X12	2	
4	XSM5ML	2	
5	XSSM8X16	4	
6	XSM8ML	4	
7	MED5001	1	
8	XSFM6X12	4	
9	XSM6ML	4	
10	MEM5011	1	
11	MEM5004	2	

**Note! Bambino is not included.**

**300201**

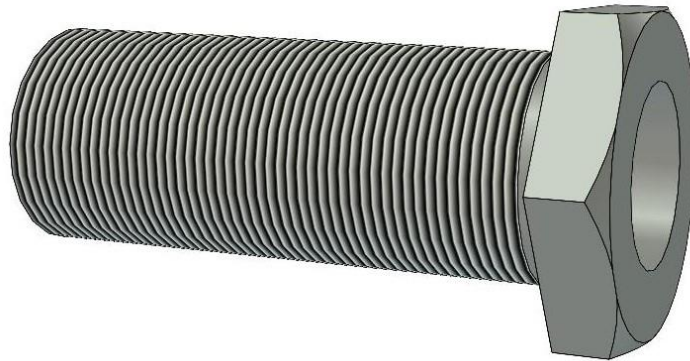
# decon wheel



1	300200	1	
2	XSM6X10	2	



M3	1,2 Nm
M4	3 Nm
M5	6 Nm
M6	10 Nm
M8	25 Nm
M10	50 Nm
M12	85 Nm



M16x1	30 Nm
M18x1	40 Nm