



Assembly Instructions

ADV5314, ADV5014

Adventus adapter bar
R82 Kudu

1. Safety

Symbols



Warning!

Risk of serious injury or death.

An operation that, if not correctly performed, may lead to injury to the operator or others.



CAUTION!

Risk of material damage.

An operation that, if not correctly performed, may lead to material damage.



INFO

Particularly important or explanatory information

General instructions

These instructions shall always be followed when placing the adaptor bar ADV5314 and ADV5014 on a wheelchair.

Adjustment of the Adventus wheel is described in the user manual of the Adventus wheel.

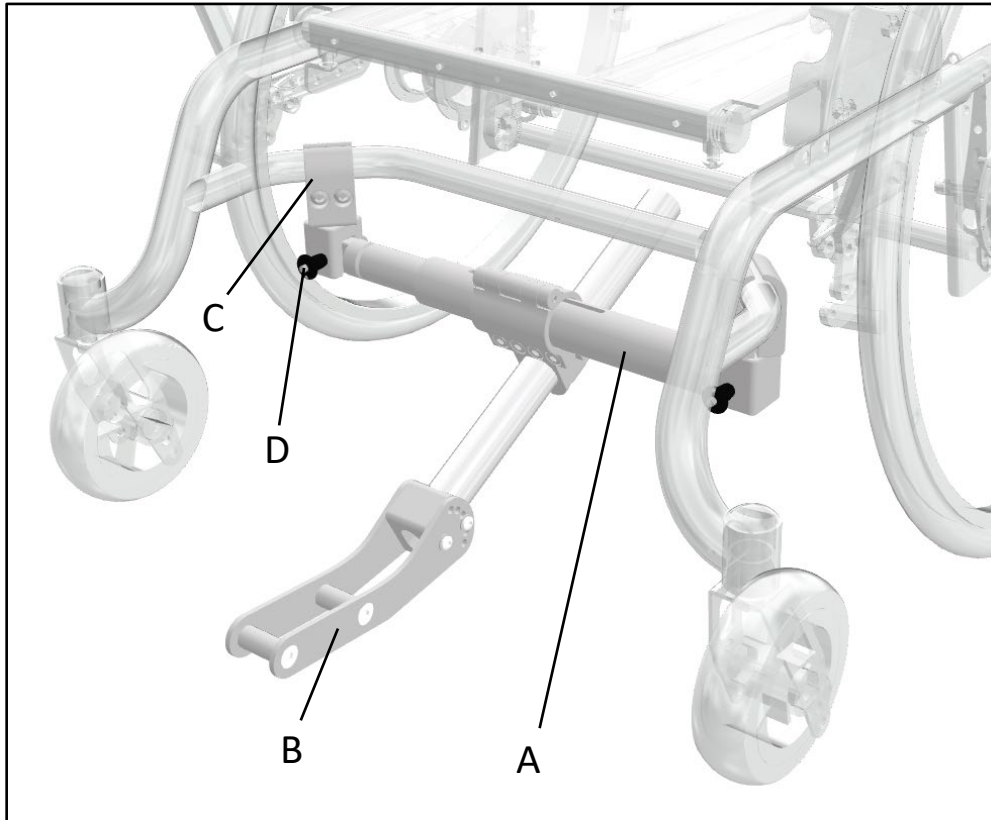
Warnings



WARNING!

Assembly work or changes made to the mounting set must be carried out by trained service technician, reseller or another person assigned by Decon.

2. Overview

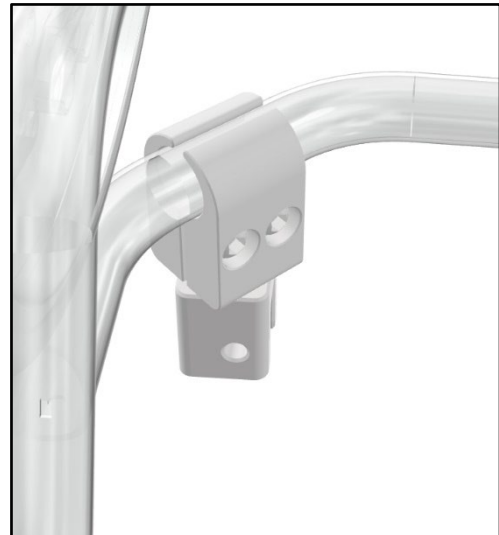
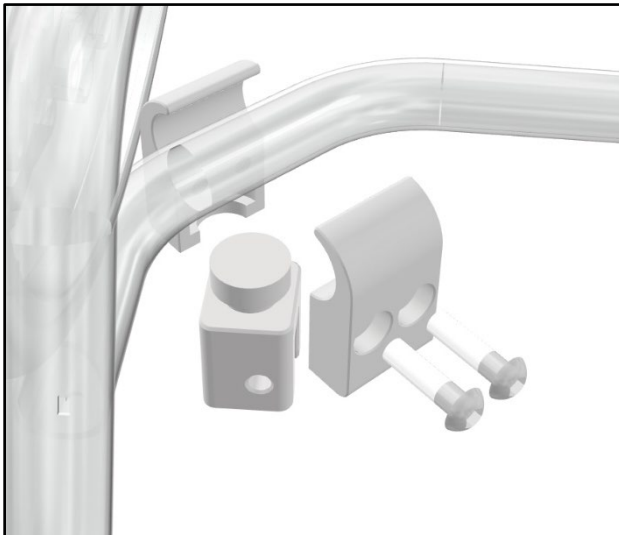


 INFO

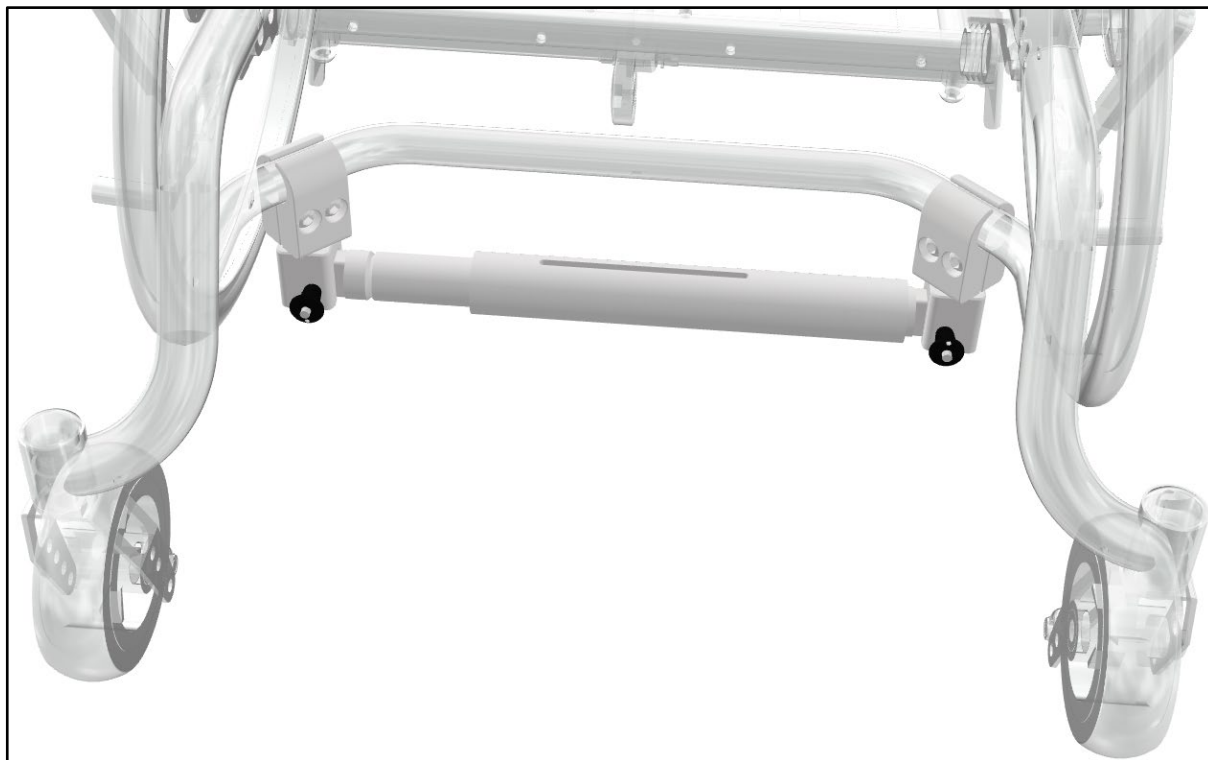
Picture above shows the adaptor bar assembled on R82 Kudu Size4 with 22" wheels.

3. Assembly adaptor kit

First mount the Adaptor kit (C) on both sides of the frame. Mount the holders so that they still can be moved along the wheelchair chassis.



Mount the adaptorbar (A) into the holders and lock it into place using the QR Pins (D). Now tighten the screws sitting in the clamps that connects to the frame of the wheelchair.

 **INFO**

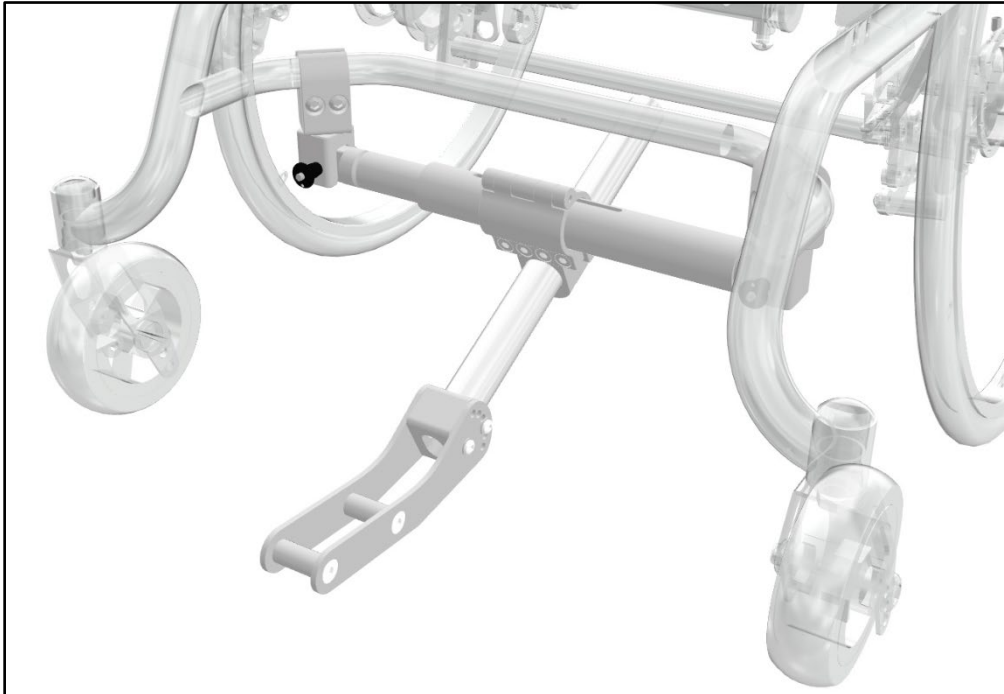
After the screws are tightened check that the adaptor bar still can be removed from its holders without excessive force. If the adaptor bar is stuck in its holders loosen the screws on one side and adjust the position.

 **WARNING!**

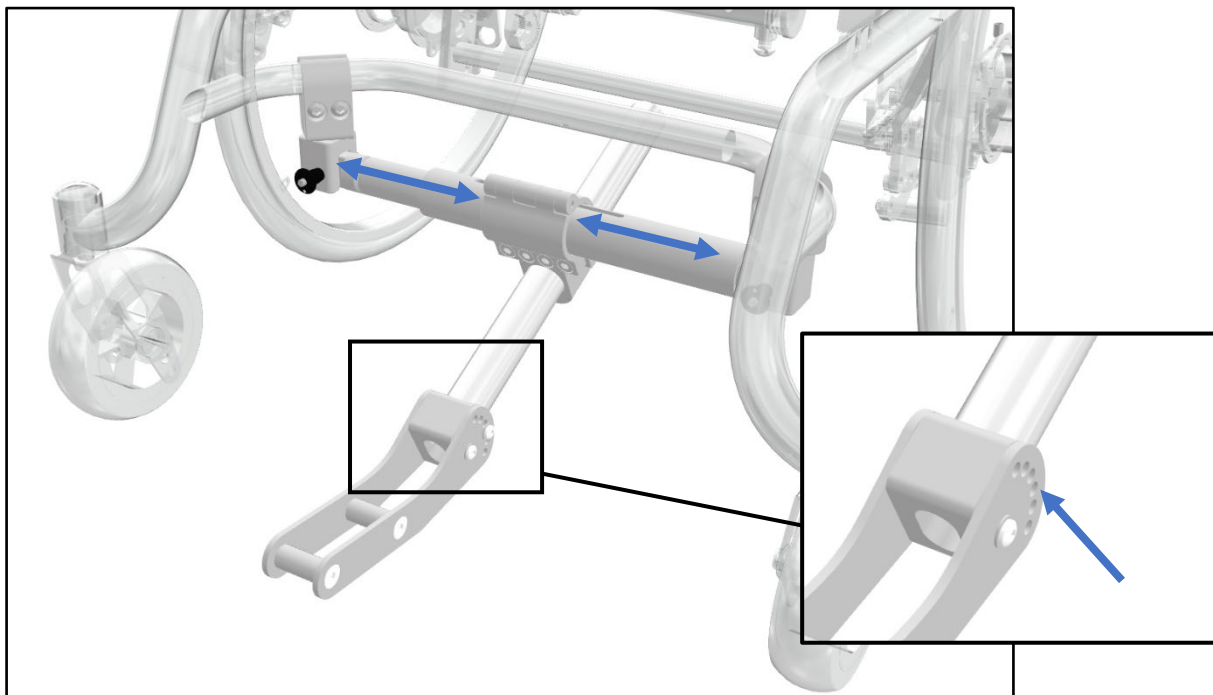
The screws holding the clamps shall be tightened to 20-24Nm of torque. Loctite 243 or eq. must be applied.

4. Adjustment of the adaptor bar

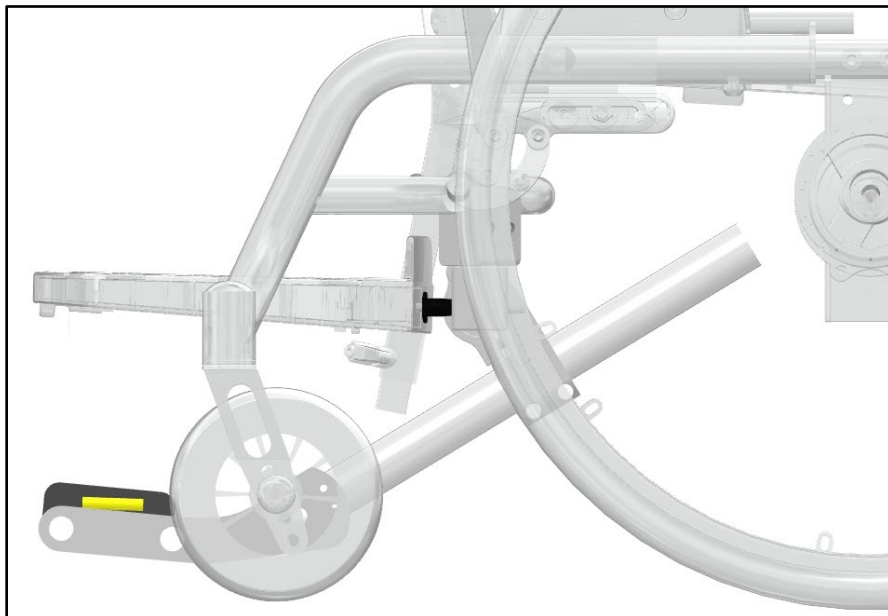
Mount the fork (B) onto the adaptor bar (A).



Make sure that the fork (B) sits in the center of the wheelchair. Remove the screws in the fork (B) that locks the rotation (see picture bellow).



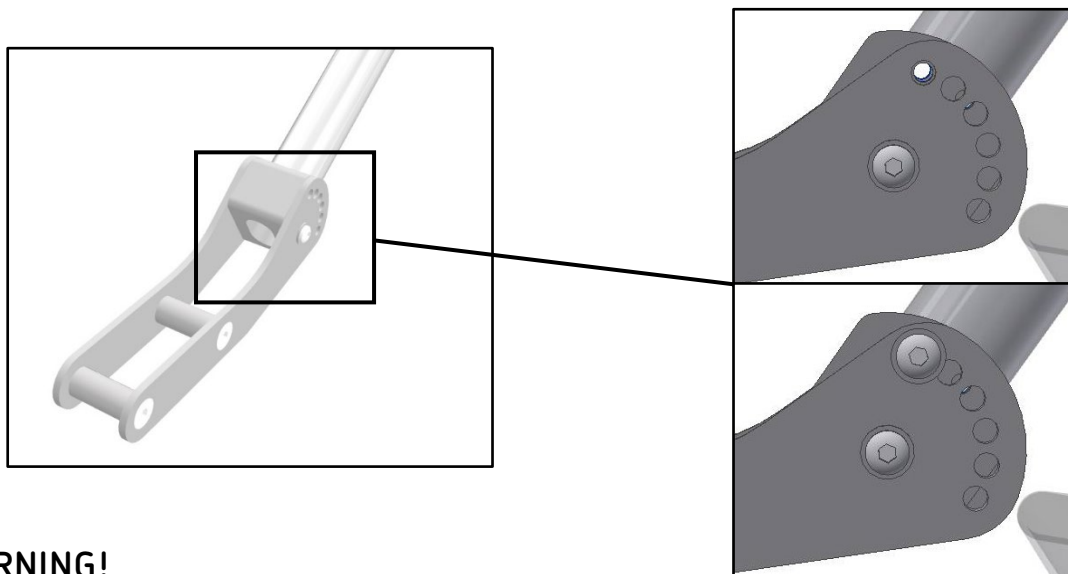
Mount the adjustment tool in the fork (B). Adjust the height and angle of the fork (B). The fork (B) must sit underneath the wheelchair's footrest.



 **INFO**

Check that there is no interference between the fork (B) and the footrest.

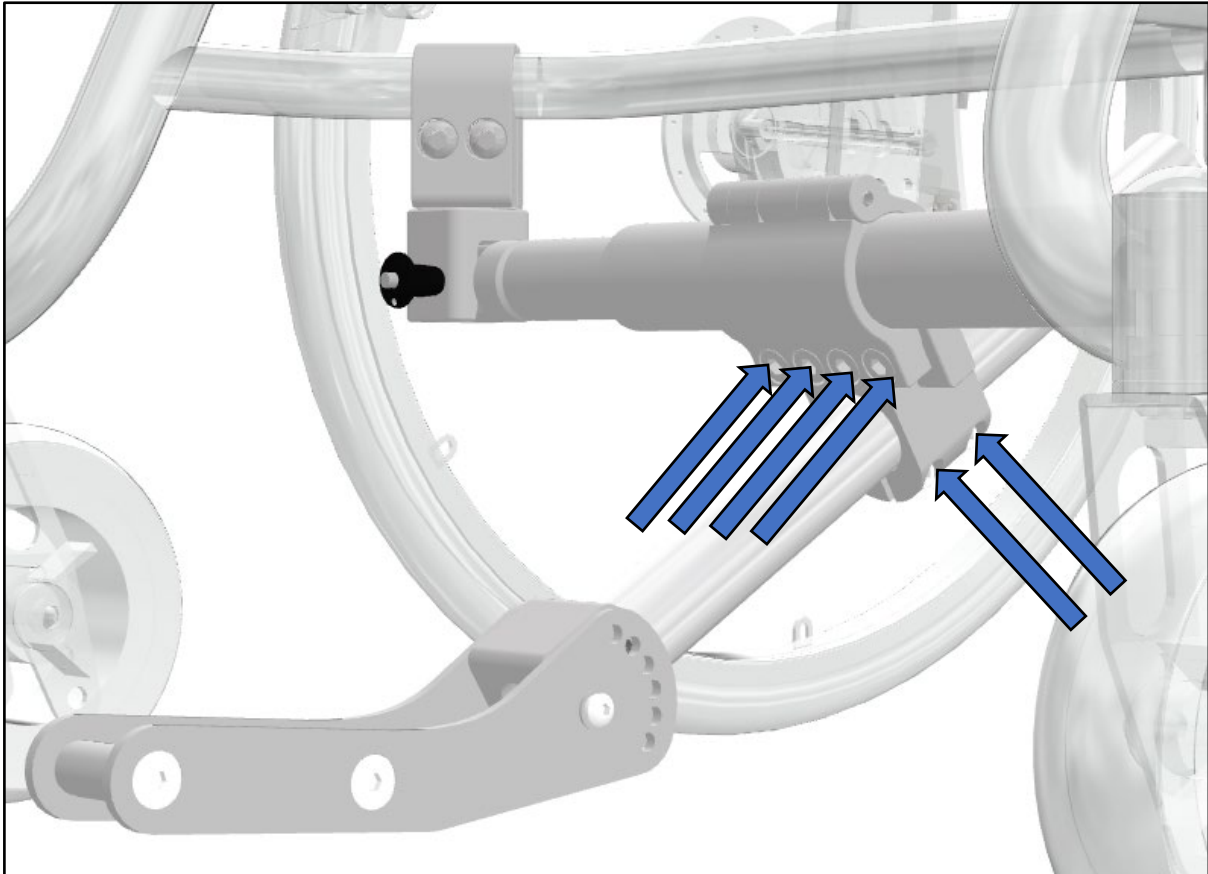
Reassemble the screw in the hole that fits the best.



 **WARNING!**

The screws holding the clamps shall be tightened to 8-10Nm of torque. Loctite 243 or eq. must be applied.

Now tighten the screws that sits in the clamp of the adaptor bar (A) and the ones holding the fork (B). **In both clamps screws shall be tightened gradually until the desired torque is achieved. Keep tightening until 30-34Nm is achieved for the adaptor bar clamp (A) and 9-10Nm for the one holding the fork (B).** Also make sure that the fork is still centred and the angle of the adjustment tool is still correct.



Check one last time that all screws are properly secured. Now see the user manual of Adventus to continue the installation. This can be downloaded from www.decon.se/en/

Decon Wheel AB
Södra Ekeryd 119, SE-314 93 Hyltebruk, Sweden
Tel: +46 (0)345 40880
Fax: +46 (0)345 40895
E-mail: info@decon.se