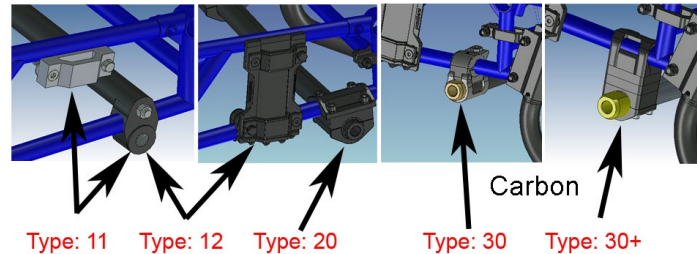
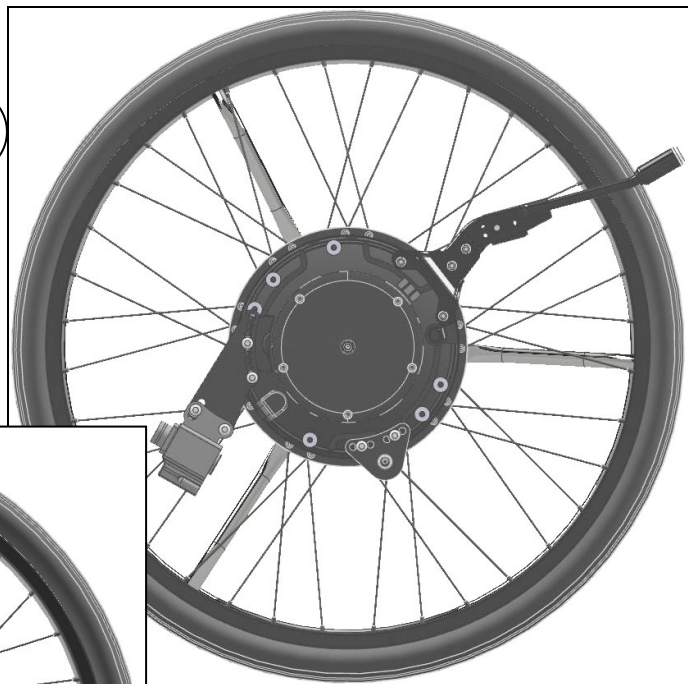
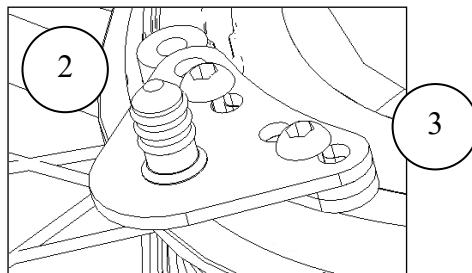


Assembly instructions for Panthera with Spinerger /Spox wheels
Bambino, S3/U3
MEM6003-35P and MEM6004-35P
Type 35



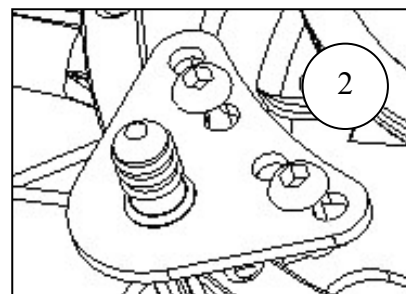
1. Check that you have the correct model type 30 and with Spinerger /Spox wheels.
2. Remove the wheels.



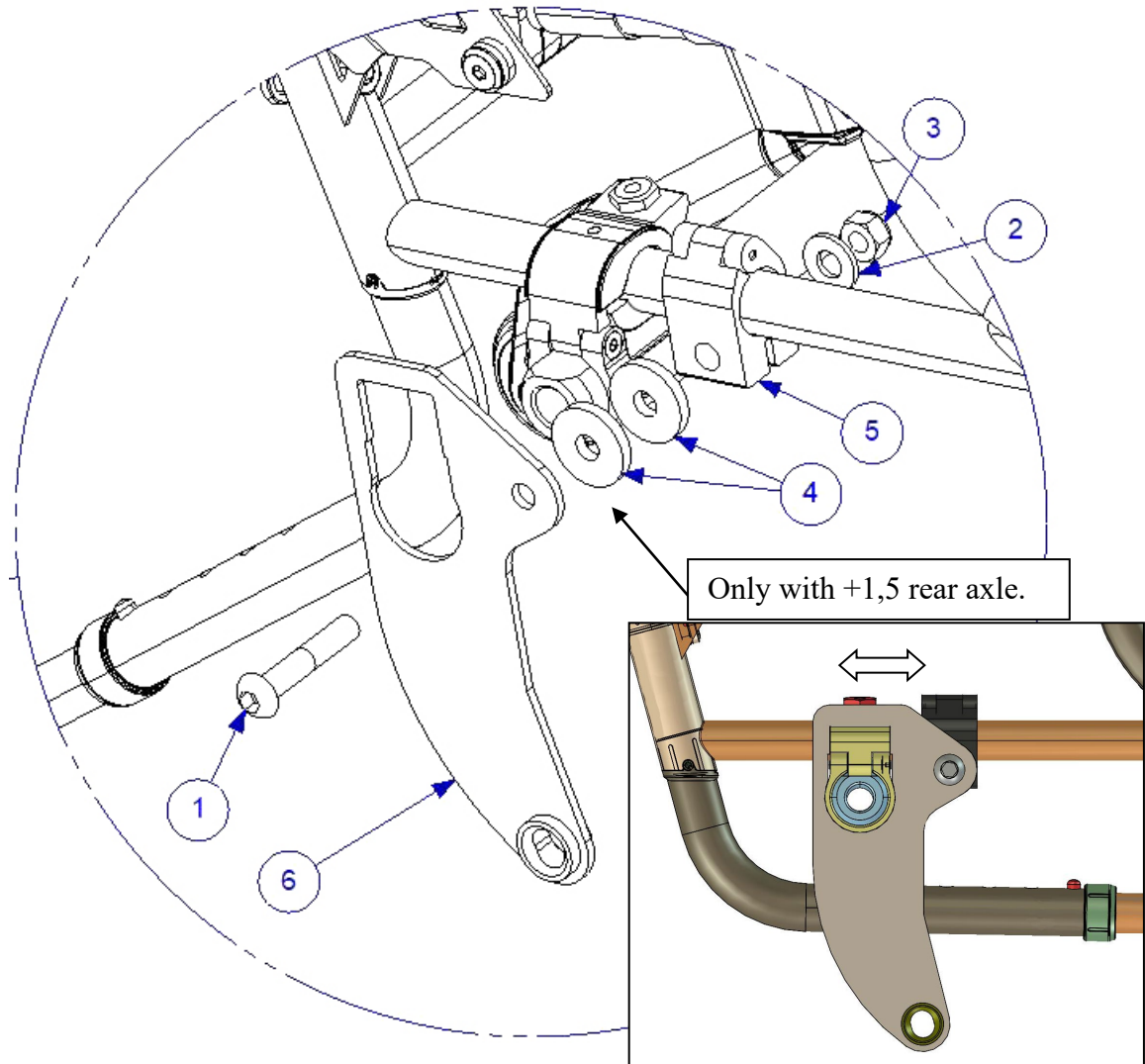
With +1,5 rear axle mount 2 spacer plates 300087 below 320003.



1



1	XOE-2530E-00	1	Axle Ø12,7 x 46
2	320003	1	Plate
3	300087	2	Spacer Plate (Only with +1,5 rear axle.)



3. Assembly the plate (right side) according to pictures above.

Parts for right side mounting:

Item No.	Part Number	Qty	Description
1	XSM8X45	1+1	Screw Round M8 x 45
2	XSM8BR	1	Washer Plain M8
3	XSM8ML	1	Lock Nut M8
4	100 400 011	2	Distans
5	290010	1	Clamp
6	300097	1	Bracket Spinergy

*If you do not now with rear axle you have, see the link bellow.

http://www.panthera.se/panthera/documentation/montering/eng/montering_bakaxel_kolfiber_eng.pdf

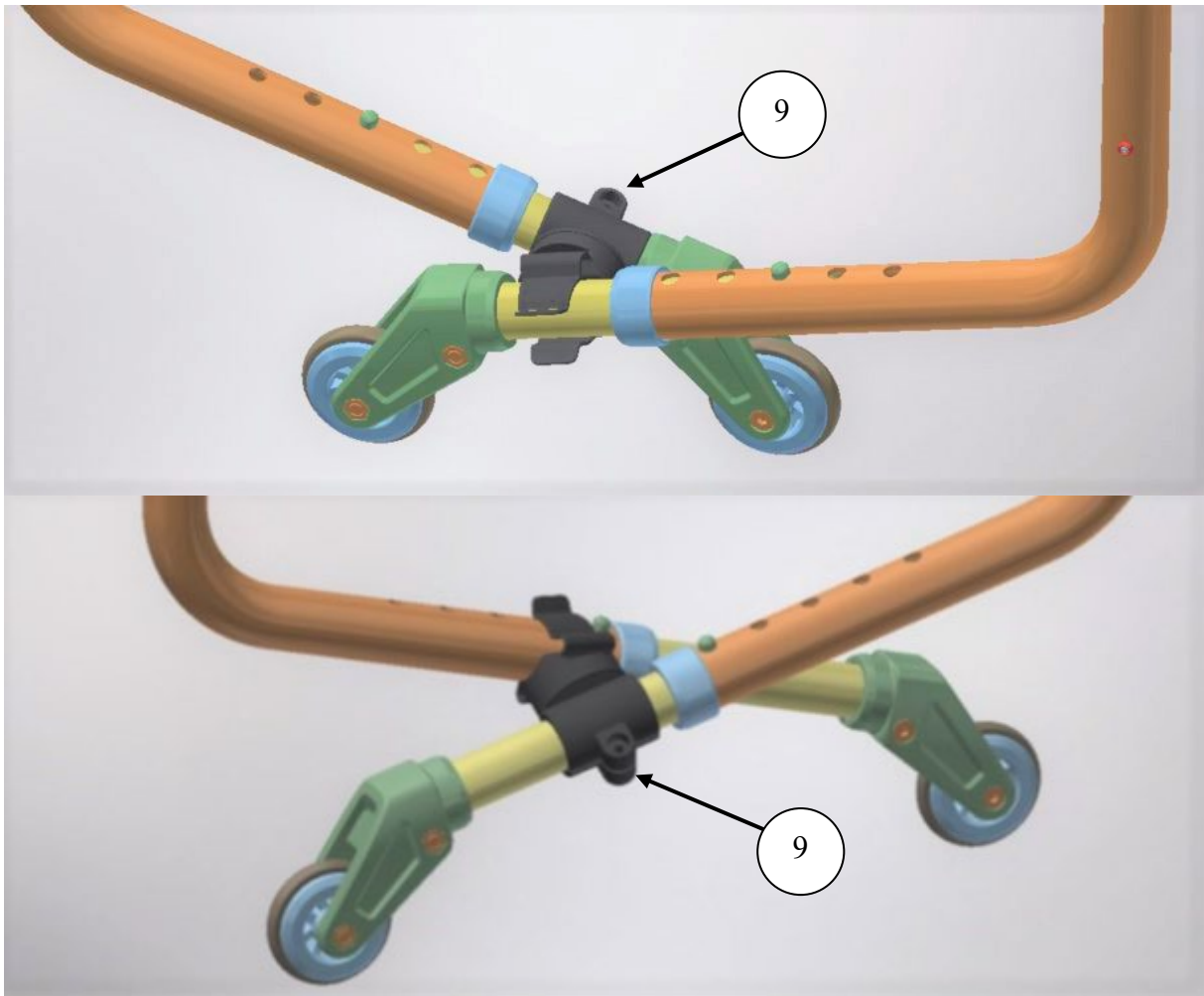
Note! If you only order the mounting set, the axle, spacer plates and plate **are not included**, for replacement see the service manual.

decon wheel

4. Assemble the under placed battery bag or if have ordered a Lithium battery place the battery holder as the picture for the right model.

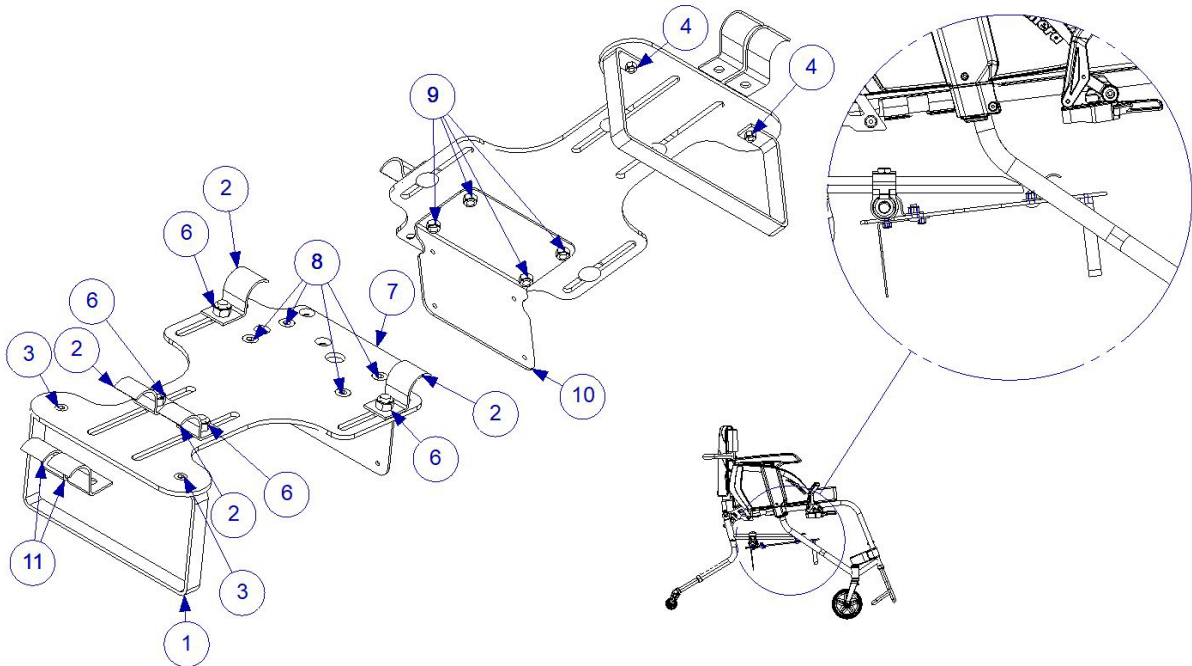
NOTE!












Keep in mind that the hinged battery bag and the battery box placed under the seat might interfere with the tipping levers. This can be solved by ordering a back mounted battery case instead of the standard bag or use the plastic clamp to attach the tipping levers to each other, see the picture below. The mounting of the clamp may need to be adjusted to match the actual seat width. Below are pictures of two mounting examples.



9	350070	1	Clamp tipping lever S3/U3
---	--------	---	---------------------------

MEM5014

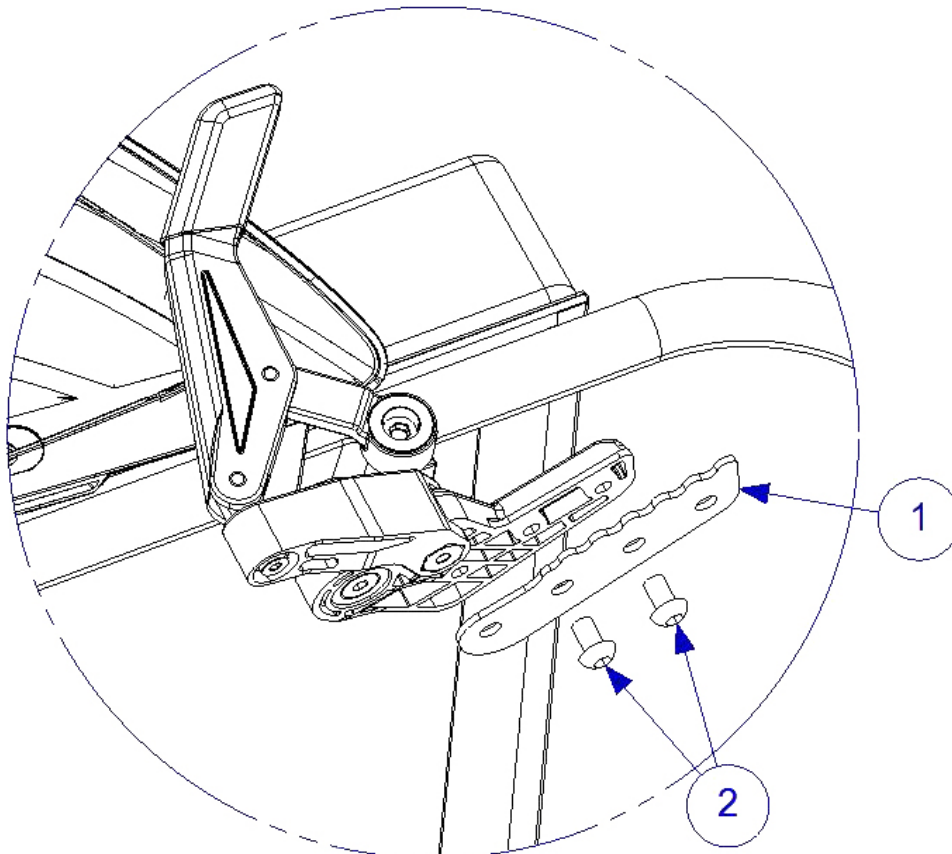
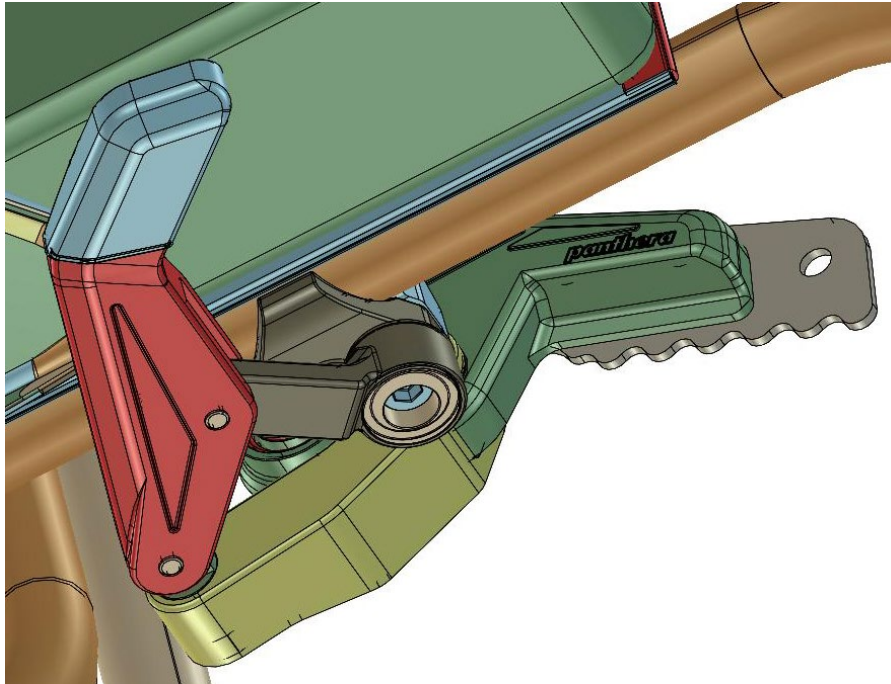



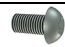
1	MEM5002	1	
2	MEM5003	4	
3	XSFM5X12	2	
4	XSM5ML	2	
5	XSSM8X16	4	
6	XSM8ML	4	
7	MED5001	1	
8	XSFM6X12	4	
9	XSM6ML	4	
10	MEM5014	1	
11	MEM5004	2	

Note! Bambino is not included.

decon wheel

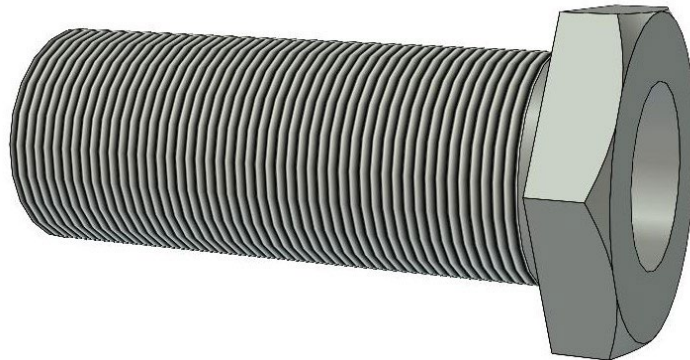
300201



1	300200	1	
2	XSM6X10	2	



M3	1,2 Nm
M4	3 Nm
M5	6 Nm
M6	10 Nm
M8	25 Nm
M10	50 Nm
M12	85 Nm



M16x1	30 Nm
M18x1	40 Nm