



Assembly Instructions

INFM7104, INFM7204

Infinity Mounting set Panthera S3 Swing

2021-12
Revision 1



1. Safety

Symbols



Risk of serious injury or death.

An operation that, if not correctly performed, may lead to injury to the operator or others.



Risk of material damage.

An operation that, if not correctly performed, may lead to material damage.



Particularly important or explanatory information

General instructions

These instructions shall always be followed when placing the mounting set INFM7104 and INFM7204 on a wheelchair.

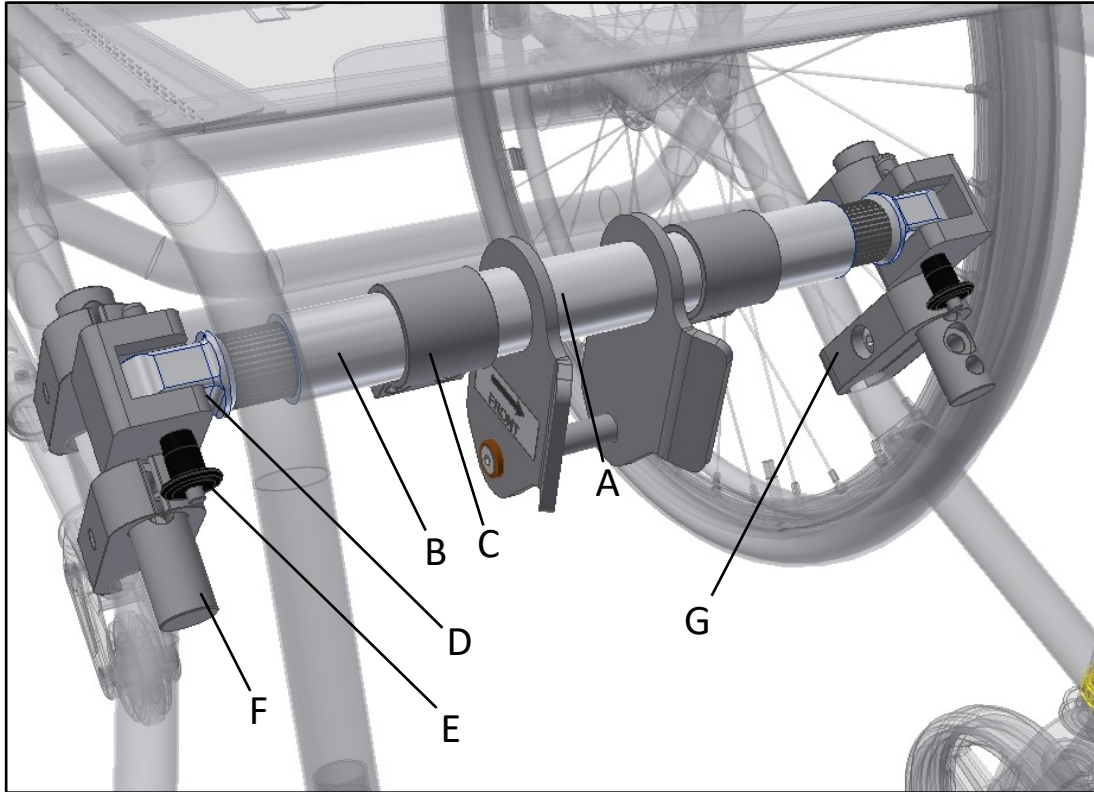
To be able to connect Infinity to the wheelchair Infinity also needs to be adjusted according to the assembly instructions that is included in the delivery of Infinity.

Warnings



Assembly work or changes made to the mounting set must be carried out by trained service technician, reseller or another person assigned by Decon.

2. Overview



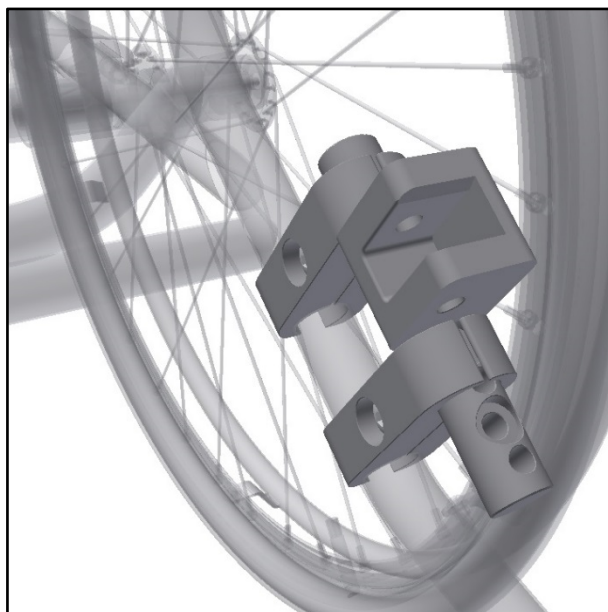
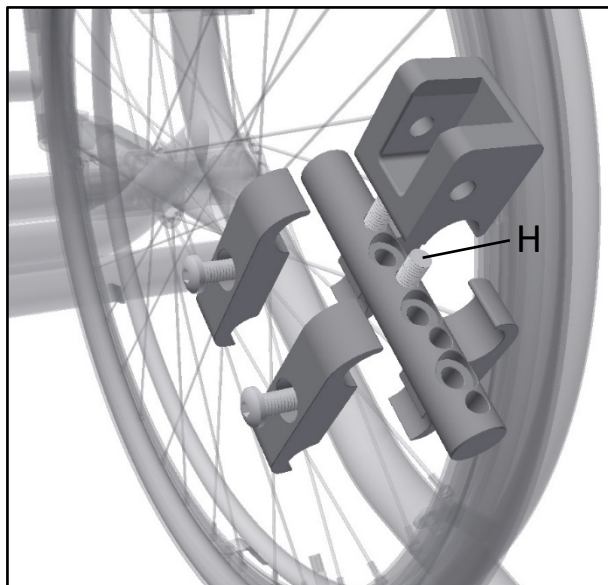
- A Center pipe adapter bar
- B Outer pipe adapter bar
- C Clamp adapter bar
- D Holder adapter bar
- E QR-Pin
- F Bar
- G Chassis clamp

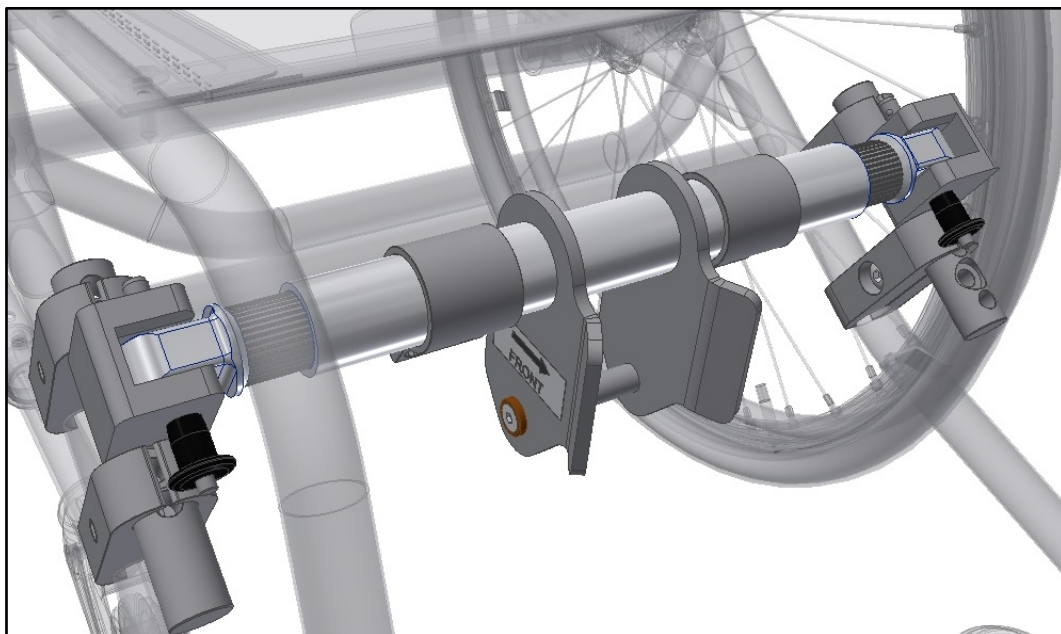
3. Assembly and adjustment of adaptor

First mount the holder (D) onto the bar (F) and secure it by using the screws (H). Now mount the preassembled parts onto the wheelchair by using the chassis clamps (G), see pictures.

Tighten the screws in the clamps (G) just enough to grip the wheelchair chassis so that the bar (F) can still be adjusted inside the clamps.

Assemble both sides.





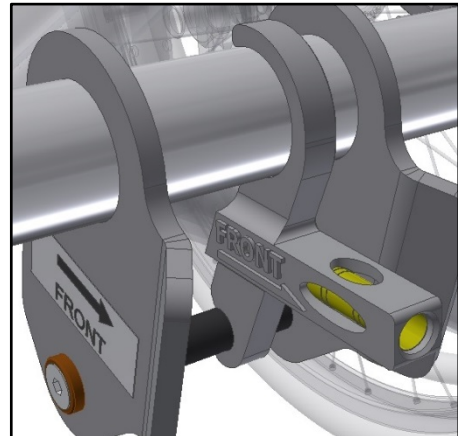
Check that the arrow on the labeling mounted on the center pipe (A) is pointing towards the front of the wheelchair. If the center pipe (A) is mounted the wrong way around it will not be possible to attach Infinity to the bar.



7-9Nm of torque (M6)
10-15Nm of torque (M8)

Now use the leveling tool that is included in the delivery of Infinity. Since the adapter bar have splines inside it will not be possible to get the bubble of the spirit level exactly right. Just choose the most correct position.

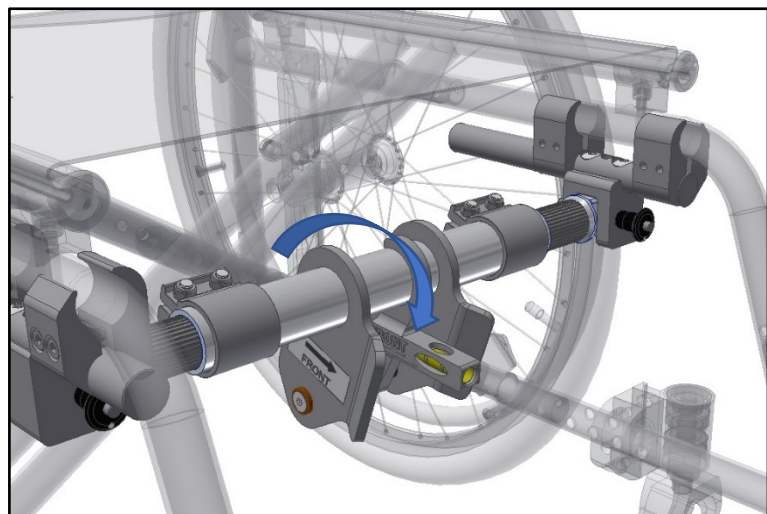
The leveling tool has two marks "H" and "L". When the bubble of the spirit level is towards the "H" the castors of the wheelchair will lift higher from the ground compared to if the bubble of the spirit level is towards the "L".



Adjustment of the angle can be done in two different manners. Both is described bellow.

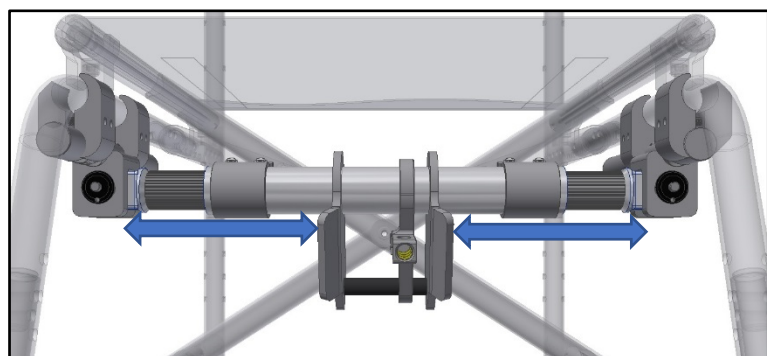
Alt1.

Using the adjustment tool that is included in the delivery of Infinity (not this mounting set), set the angle of the adaptorbar so that the spirit level is in level. Inside the pipes there are splines so when rotating you will feel and hear a clicking. When desired angle have been accomplished, check that the center pipe is centered in the wheelchair. Now tighten the screws in the clamps (C).



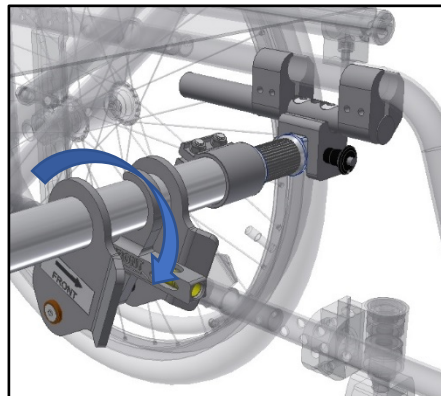
WARNING!

The screws holding the clamps (C) shall be tightened to 7-9Nm of torque.

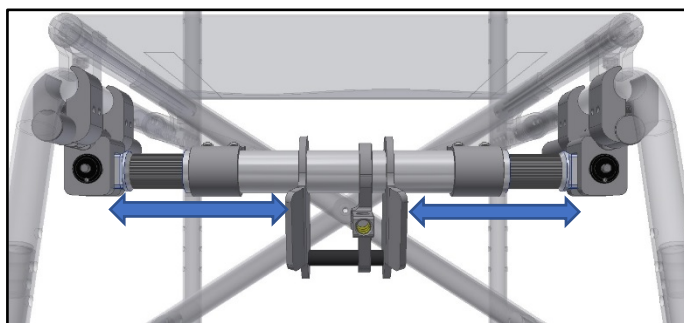


Alt.2

Using the adjustment tool that is included in the delivery of Infinity (not this mounting set), set the angle of the adaptorbar. Only mount the inner pipe on one side and then rotate the center pipe to the correct angle. Now mount the other inner pipe in the same position/angle as the first one. Check that the center pipe is centered in the wheelchair. Now tighten the screws in the clamps (C).

**WARNING!**

The screws holding the clamps (C) shall be tightened to 7-9Nm of torque.



Now read the assembly instructions that was included in the delivery of the Infinity unit. Assemble and adjust the Infinity according to the instruction.



Decon Wheel AB
Södra Ekeryd 119, SE-314 93 Hyltebruk, Sweden
Tel: +46 (0)345 40880
Fax: +46 (0)345 40895
E-mail: info@decon.se

