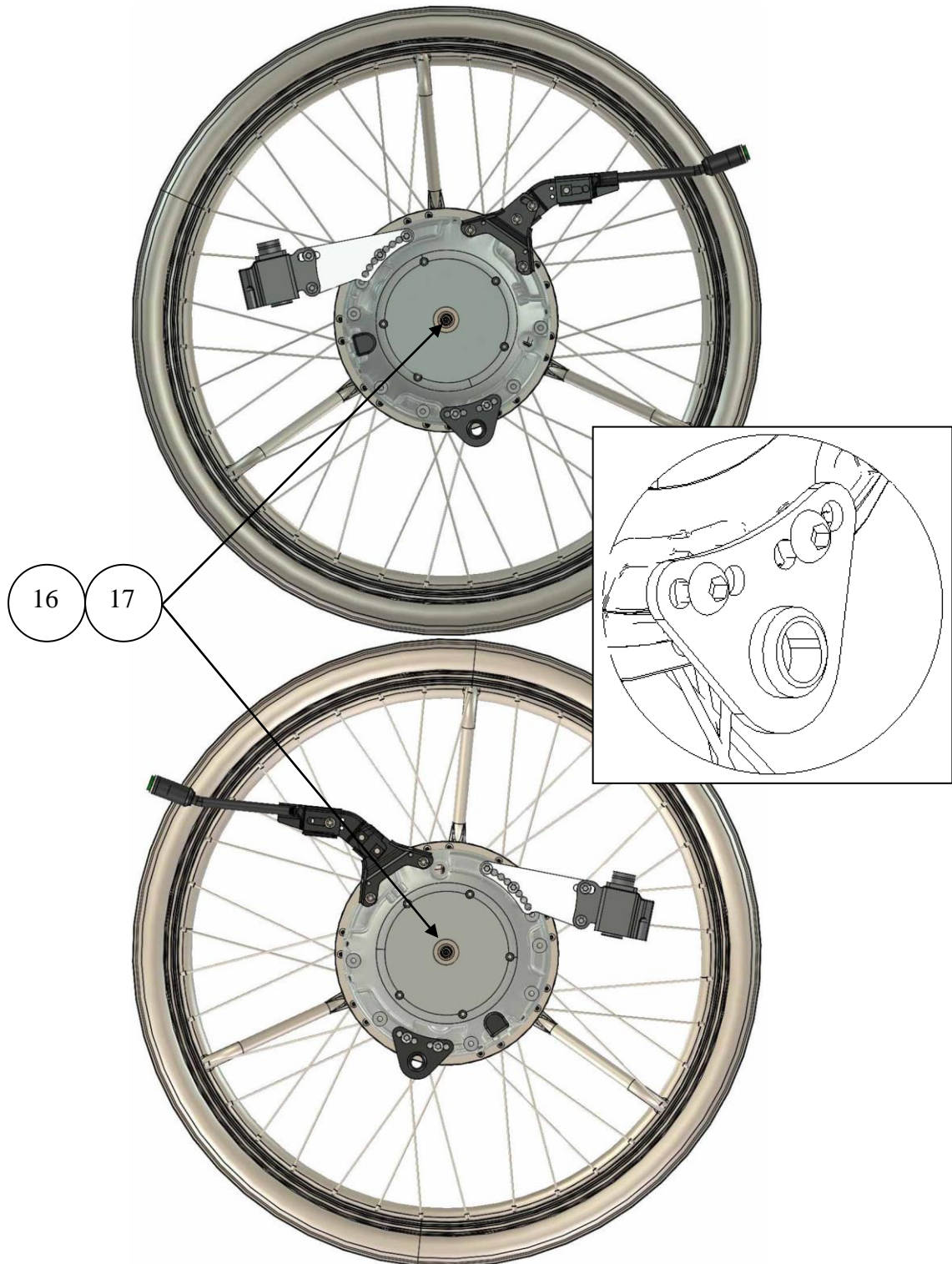
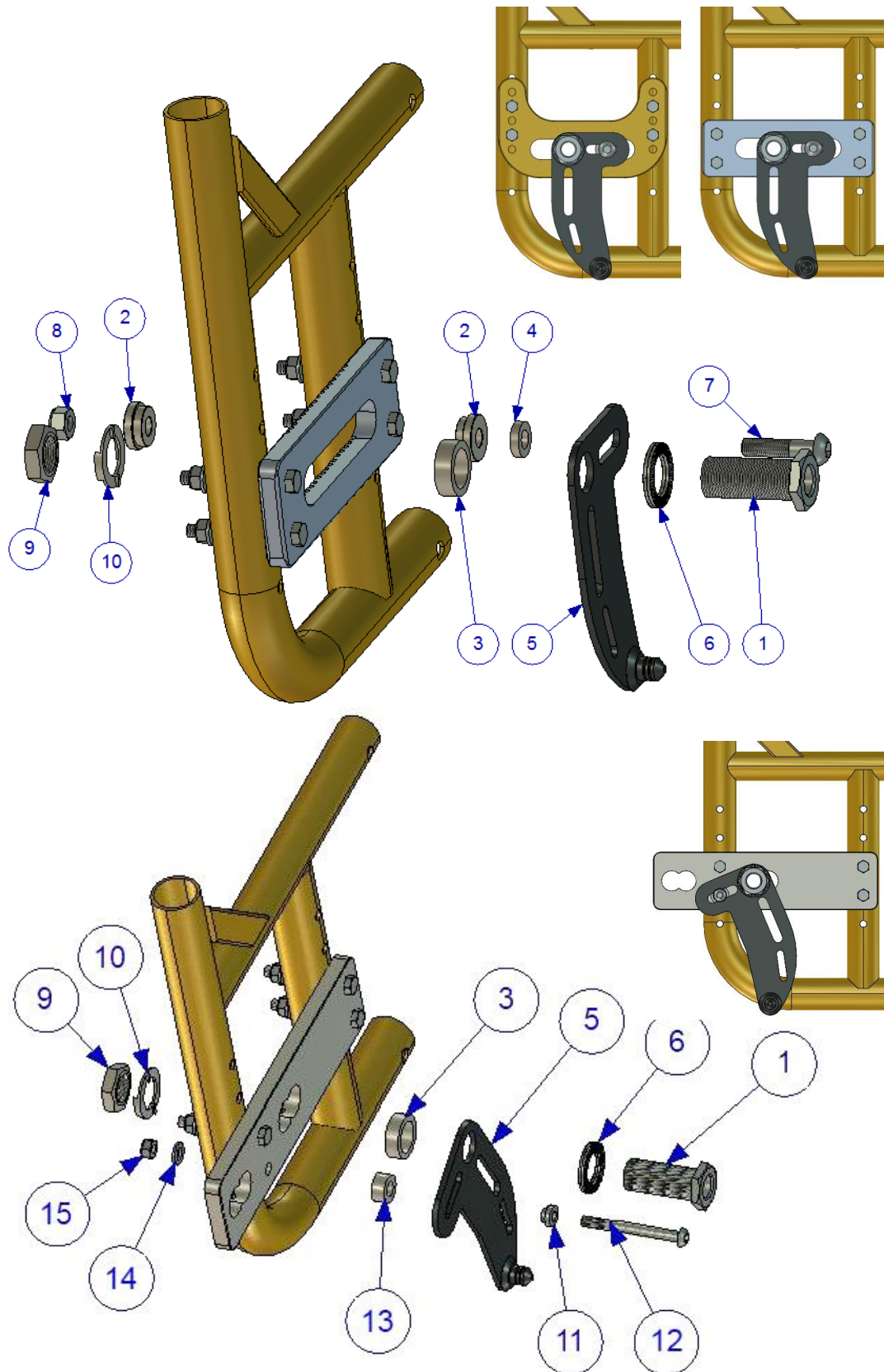


## Assembly instructions for Catalyst 5 / 5Ti MEM6229 and MEM6230

1. Remove wheel and hub sleeve on both sides.



2. Check the correct placement for the eMove with axle  $\text{\O}12,7 \times 51$  with  
Part number: XOE-2530E-C0 and Spacers with Part number: XOC-25383-00



3. Assembly of the plate (right side) according to pictures.

**Note!** Item No. 10 is from the wheelchair, it is used in the assembly of the bracket.

Parts for right side mounting:

Item No.	Part Number	Qty	Description
1	HW084	1	Hub Sleeve M18X1
2	100 400 008	2	Spacer
3	100 400 016	1	Spacer
4	100 400 001	1	Spacer
5	XOE-22294-10	1	Right Bracket Hole 18
6	405241	1	Nordlock M18 Washer
7	XSM8X35	1	Screw Round M8 x 35
8	XSM8ML	1	Nut Self-Locking M8
9	XSM18M	1	Nut M18 x1
10	Original Lock Washer	1	Lock Washer ( <b>Not included</b> )
11	100 400 020	1	Spacer
12	XSM6X60	1	Screw Round M6 x 60
13	100 400 003	1	Spacer
14	XSM6BR	1	Plain Washer M6
15	XSM6ML	1	Nut Self-Locking M6
16	XOC-25383-00	1	Spacer 12,7
17	93440-120520	1	Circlip

**Note!** If you only order the mounting set, the axle, axle spacer and the circlip **are not included**, for replacement see the service manual

- Assemble the back placed battery bag.

### Åtdragningsmoment / Tightening torque

Metriskas grovgångor, stål.  
Metric coarse threads, steel.

Gänga / Thread	Åtdragningsmoment / Tightening torque
M3	1,2 Nm
M4	3 Nm
M5	6 Nm
M6	10 Nm
M8	25 Nm
M10	50 Nm
M12	85 Nm

Navhylsor.  
Sleeves.

Gänga / Thread	Åtdragningsmoment / Tightening torque
M16x1	30 Nm
M18x1	40 Nm