



Assembly Instructions

INFM7002, INFM7102, INFM7202

Infinity Mounting set
Panthera S3/U3/U3 Light/U3 Light L

1. Safety

Symbols



Warning!

Risk of serious injury or death.

An operation that, if not correctly performed, may lead to injury to the operator or others.



CAUTION!

Risk of material damage.

An operation that, if not correctly performed, may lead to material damage.



INFO

Particularly important or explanatory information

General instructions

These instructions shall always be followed when placing the mounting set INFM7002, INFM7102, INFM7202 Mounting set Panthera S3/U3 on a wheelchair.

To be able to connect Infinity to the wheelchair Infinity also needs to be adjusted according to the assembly instructions that is included in the delivery of Infinity.

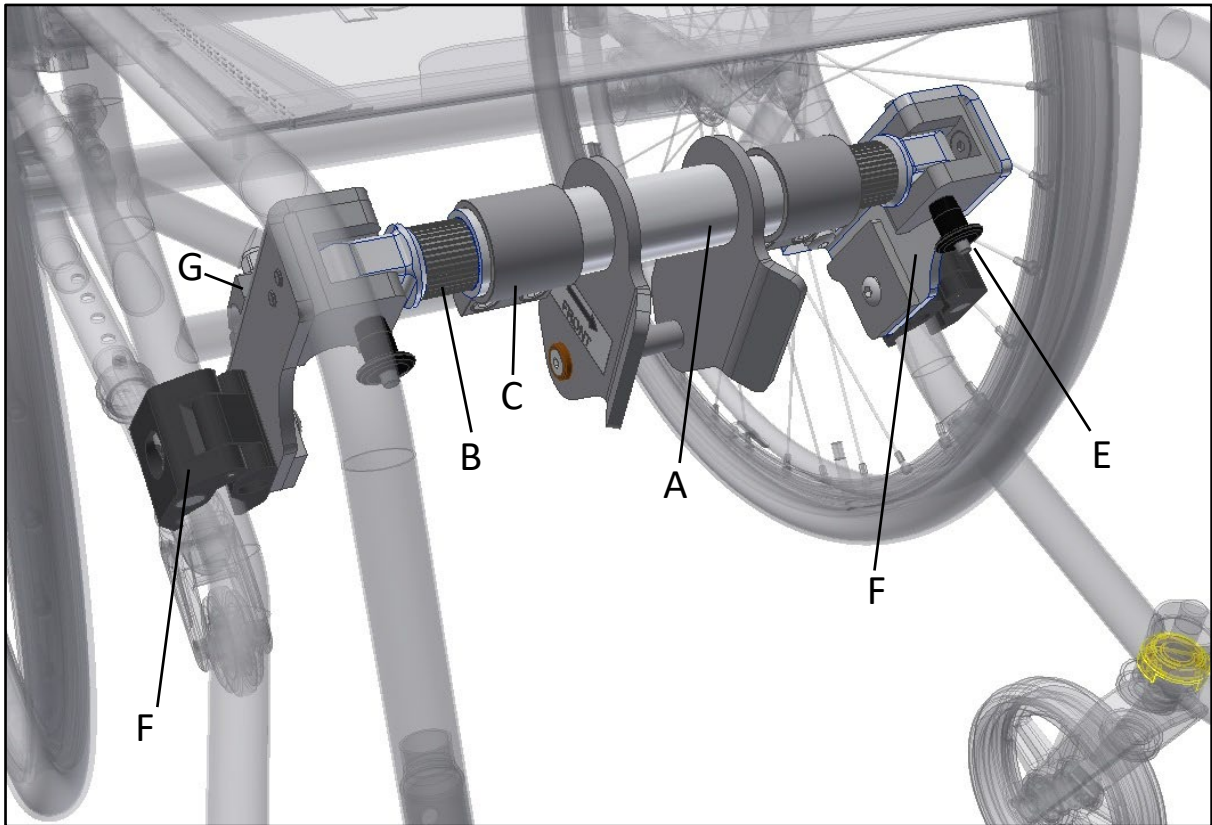
Warnings



WARNING!

Assembly work or changes made to the mounting set must be carried out by trained service technician, reseller or another person assigned by Decon.

2. Overview



- A Center pipe adapter bar
- B Outer pipe adapter bar
- C Clamp adapter bar
- D Preassembled adapter plate
- E QR-Pin
- F Universal clamp
- G Panthera clamp

3. Assembly and adjustment of adaptor

First mount preassembled adapter plate (D), universal clamp (F), wedge (I), sleeve (J), screw (K) and washer (L) onto the wheelchair. Tighten loosely so that the parts can move along the frame.

Mount the Panthera clamp (G) around the frame using screw (K), washer (L) and locking nut (M) and tighten loosely.

Check that the preassembled adapter plate sits correctly and then tighten the screws

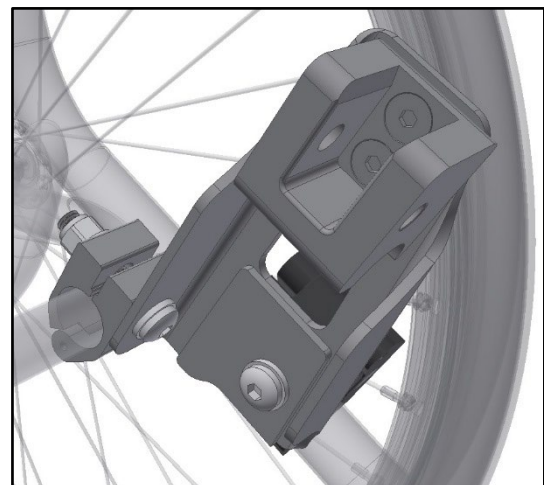
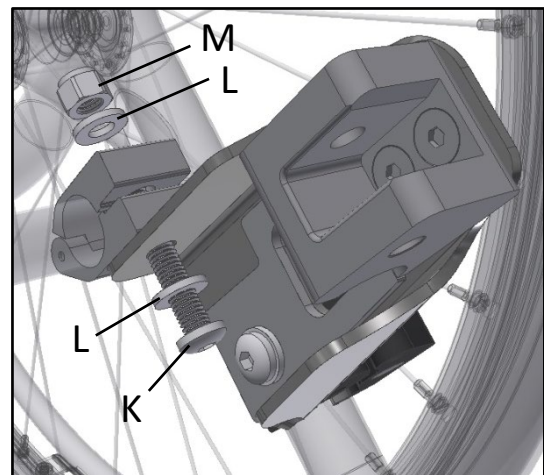
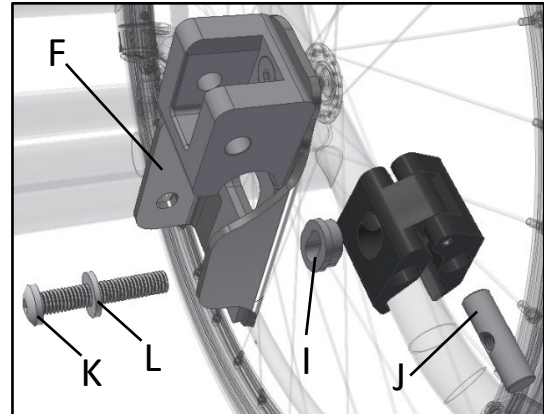
Assemble both sides.



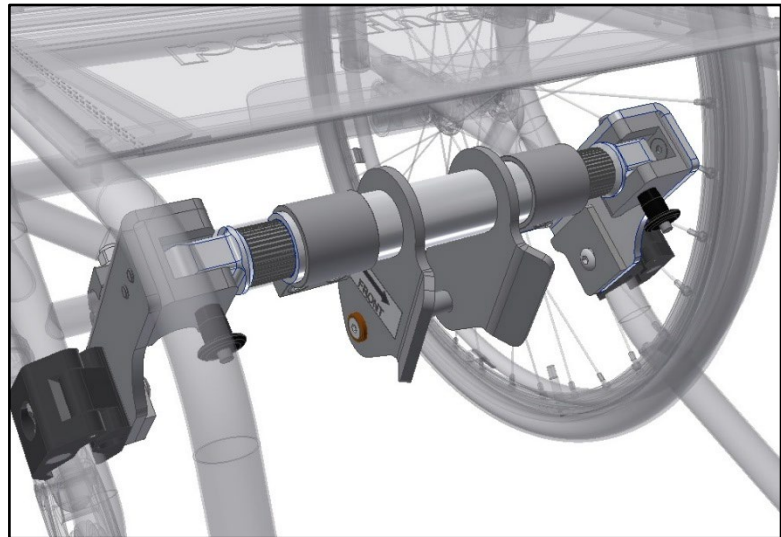
WARNING!

The screws (K) in universal clamp (F) and Panthera clamp (G) must be tightened to 10-15Nm.

Loctite 243 or eq. shall be applied to the screws in the universal clamp (F)

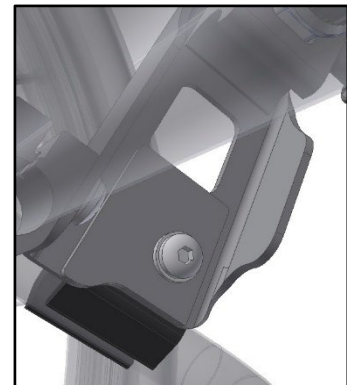
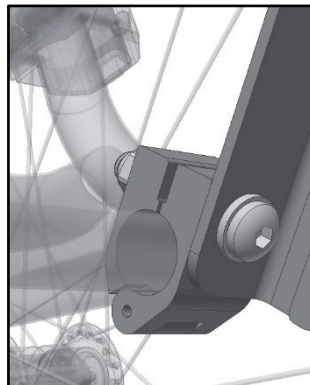


Now mount the complete adapter bar that consists of center pipe (A), outer pipe (B) and clamp (C). The complete adapter bar is mounted into the holders (D) by using the QR-pins (E).



Make sure the ends of the outer pipe (B) are parallel otherwise it can be hard to assemble it into the holders (D). It shall be possible to move the center pipe (A) sideways and also rotate it if correctly assembled.

First tighten the screws in the panthera clamp (H), it shall be possible to move the center pipe sideways and also rotate it even after tightening of the screws. Now tighten the screws in the universal clamp (G).



 INFO

Check that the arrow on the labeling mounted on the center pipe (A) is pointing towards the front of the wheelchair. If the center pipe (A) is mounted the wrong way around it will not be possible to attach Infinity to the bar.

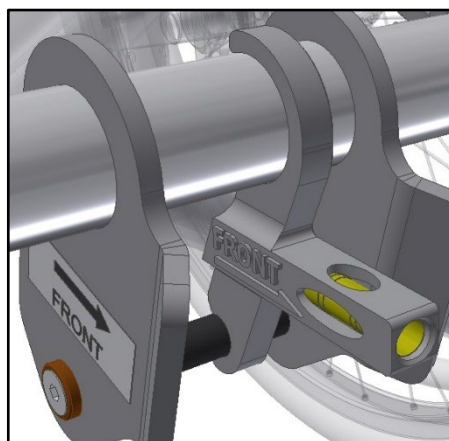
 **WARNING!**

The screws holding the panthera clamp (H) shall be tightened to 15-20Nm of torque.

The screws holding the universal clamp (G) shall be tightened to 10-15Nm of torque.

Now use the leveling tool that is included in the delivery of Infinity. Since the adapter bar have splines inside it will not be possible to get the bubble of the spirit level exactly right. Just choose the most correct position.

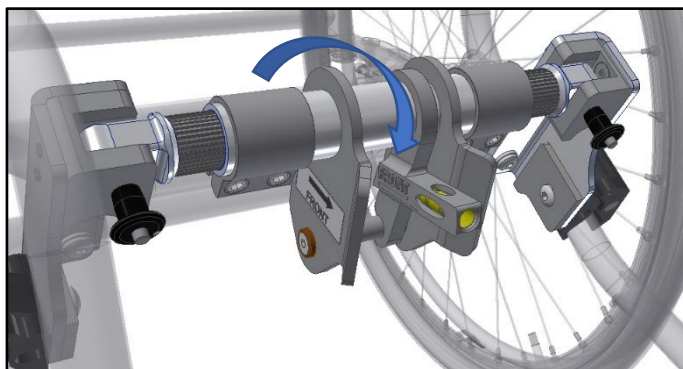
The leveling tool has two marks “H” and “L”. When the bubble of the spirit level is towards the “H” the castors of the wheelchair will lift higher from the ground compared to if the bubble of the spirit level is towards the “L”.



Adjustment of the angle can be done in two different manners. Both is described bellow.

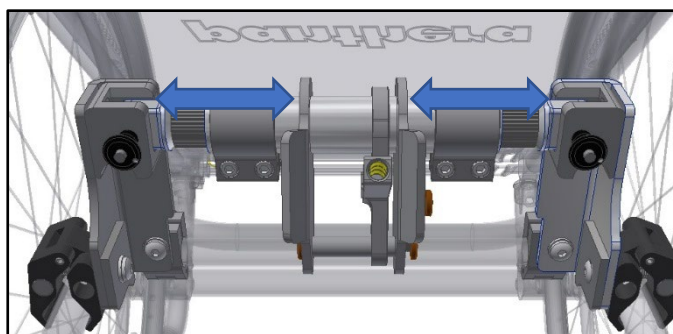
Alt.1

Using the adjustment tool that is included in the delivery of Infinity (not this mounting set), set the angle of the adaptorbar so that the spirit level is in level. Inside the pipes there are splines so when rotating you will feel and hear a clicking. When desired angle have been accomplished, check that the center pipe is centered in the wheelchair. Now tighten the screws in the clamps (C).



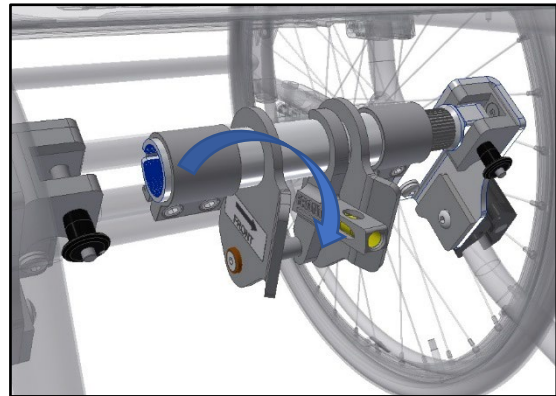
WARNING!

The screws holding the clamps (C) shall be tightened to 7-9Nm of torque.



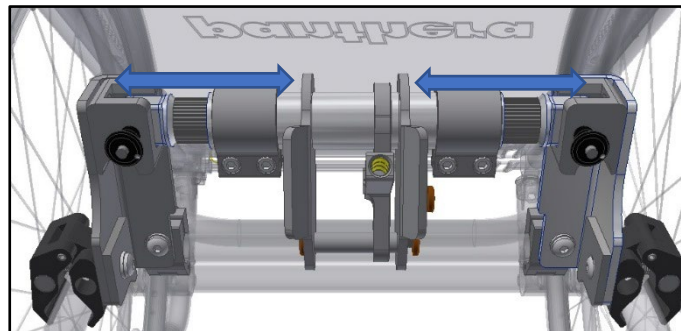
Alt.2

Using the adjustment tool that is included in the delivery of Infinity (not this mounting set), set the angle of the adaptorbar. Only mount the inner pipe on one side and then rotate the center pipe to the correct angle. Now mount the other inner pipe in the same position/angle as the first one. Check that the center pipe is centered in the wheelchair. Now tighten the screws in the clamps (C).



WARNING!

The screws holding the clamps (C) shall be tightened to 7-9Nm of torque.



Now read the assembly instructions that was included in the delivery of the Infinity unit. Assemble and adjust the Infinity according to the instruction.



INFO

Don't forget to reassemble the brakes of the wheelchair in case these were removed when mounting the adaptor. Also, if the seat cloth was loosened during mounting of the adaptor don't forget to reassemble this.

Decon Wheel AB
Södra Ekeryd 119, SE-314 93 Hyltebruk, Sweden
Tel: +46 (0)345 40880
Fax: +46 (0)345 40895
E-mail: info@decon.se

