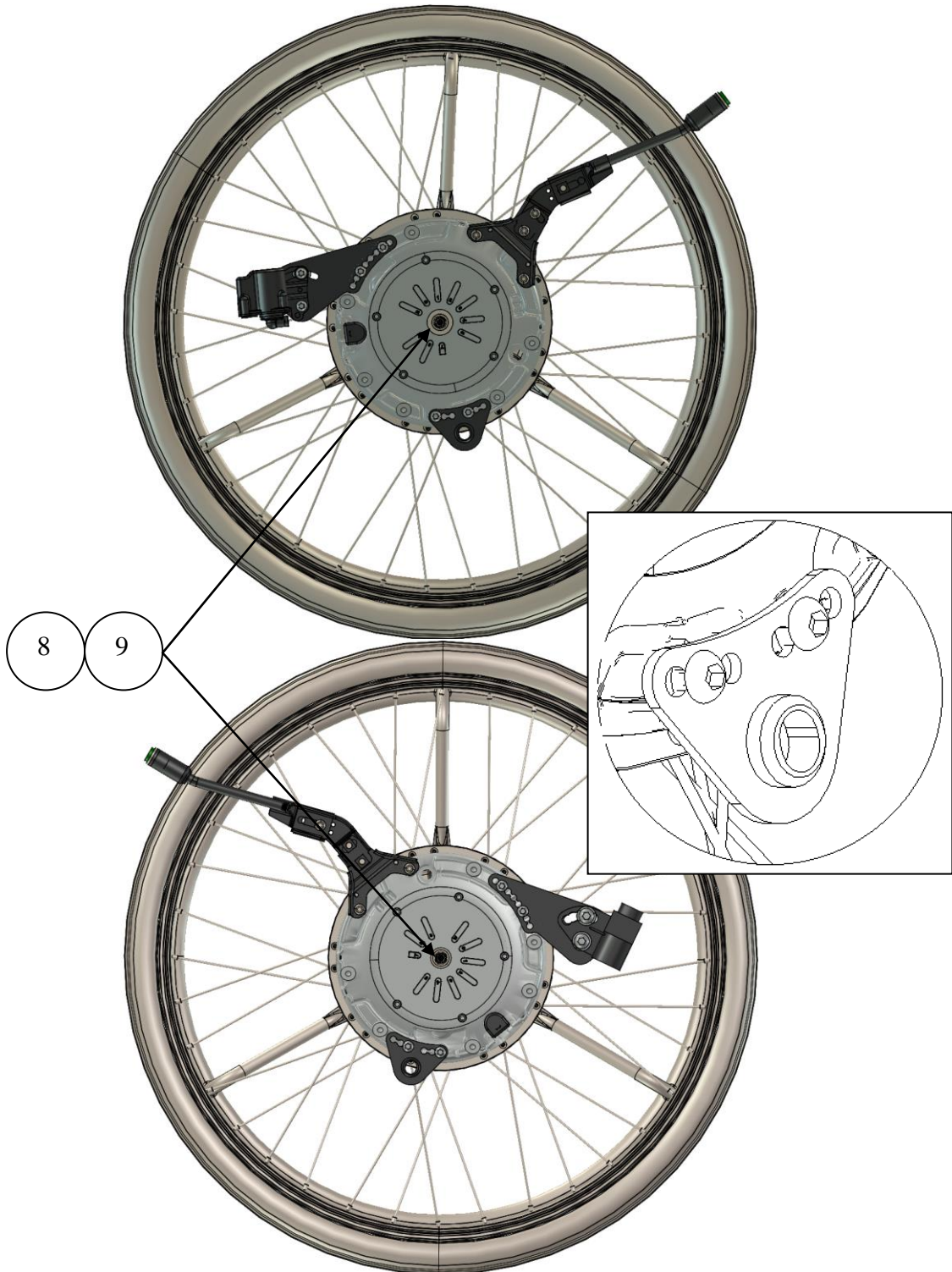


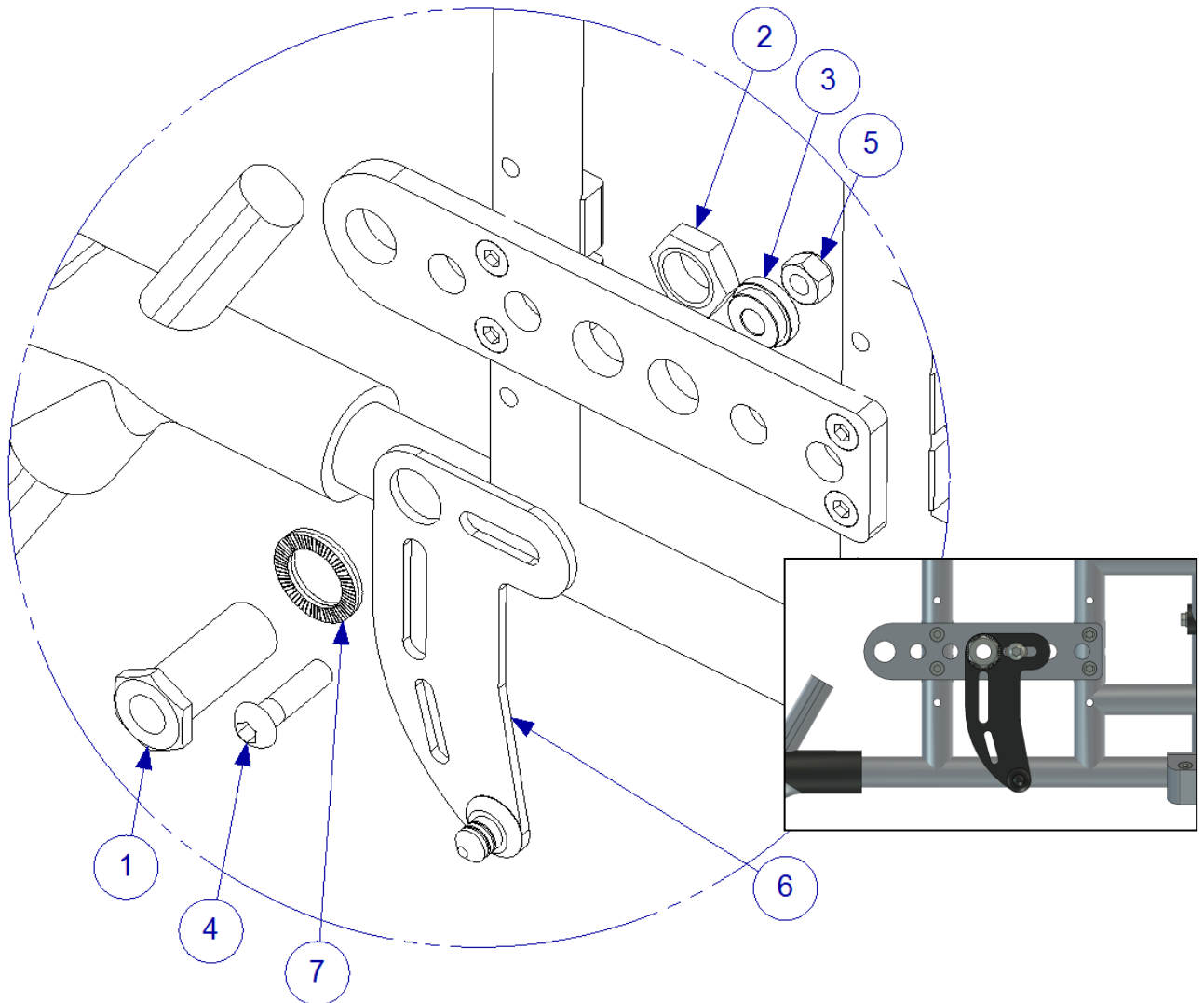
# decon wheel

## Assembly instructions for G5 Classic, G6 Compact MEM6043 and MEM6044

1. Remove wheels and brakes.



2. Check the correct placement for the eMove, and that it is axle  $\text{Ø}12,7 \times 51$  with Part Number: XOE-2530E-CO and Spacer with Part Number: XOC-25383-00.



3. Assembly the plates according to pictures.

Parts for right side mounting:

Item No.	Part Number	Qty	Description
1	HW084	1	Sleeve M18X1
2	XSM18M	1	Nut M18 x1 low
3	100 400 008	1	Spacer
4	XSM8X30	1	Screw Round M8 x 30
5	XSM8ML	1	Nut Self-Locking M8
6	XOE-22294-10	1	Right Bracket Hole 18
7	405241	1	Nordlock M18 Washer
8	XOC-25383-00	1	Spacer
9	93440-120520	1	Circlip

**Note!** If you only order the mounting set, the axle, axle spacer and the Circlip **are not included**, for replacement see the service manual.

4. Assemble the back placed battery bag.