

A

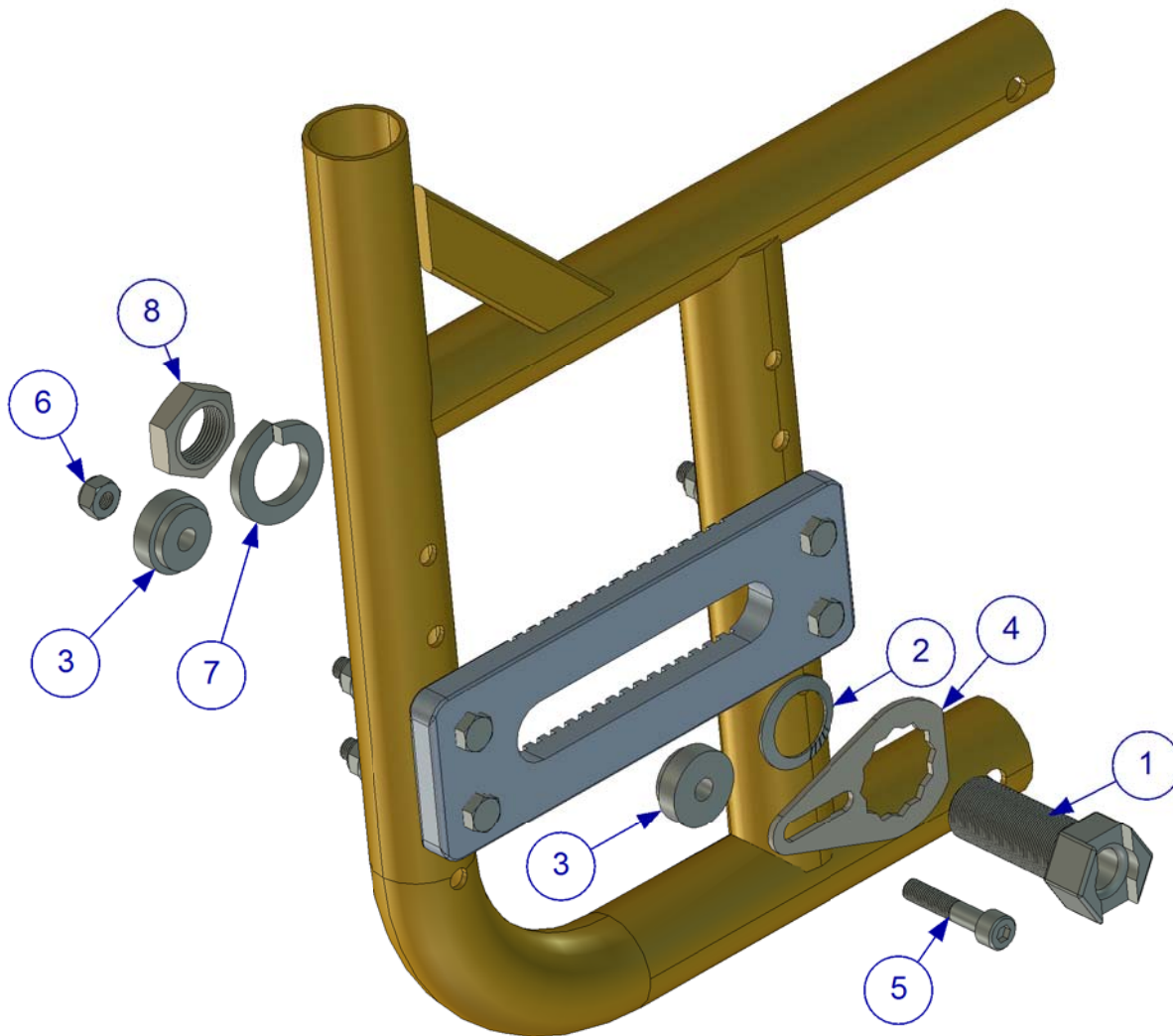
B

C

D

E

F



Item No.	Part Number	Qty	Description
1	VH51002-03	1	Hub Sleeve M18
2	405240	1	Nordlock Washer M18
3	VH53001-02	2	Spacer
4	VH52001-01	1	Lock Washer
5	XSM6X30	1	Screw Socket M6 x 30
6	XSM6ML	1	Nut Self-Locking M6
7	XSM18FJ	1	Washer Single Coil - M18
8	XSM18M	1	Nut M18 x1

<b>A4</b>  ISO E	IronCAD 2D-ritning 3D-fil tillgänglig 	Generella toleranser enligt: <b>ISO 2768-1</b> medium	Filnamn: <b>Catalyst 5 med EasyWheel.icd</b>		Senast sparad: <b>2017-12-06 14:41</b>
			Vikt: <b>2,129</b>	Material:	Skapad datum:
			<b>Catalyst 5 / Catalyst 5Ti / Catalyst 5VX EasyWheel</b>		Bladnr: <b>1 ( 1 )</b>
			Ritningsnr: <b>VH3006-10</b>		Rev. ...